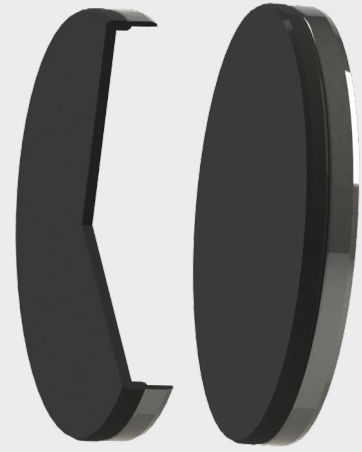


COVER SEALS

EBC



DESCRIPTION

The EBC profile is a cover seal composed of a single external metal cage with a rubber coating covering half of the outside of the cage.

ADVANTAGES

- Good radial rigidity, particularly for large diameters
- Good stability when assembled, preventing the bounce-back effect
- Good static sealing
- Good thermal expansion compensation
- Good heat transfer

APPLICATIONS

- Transmissions
- Gear motor
- Pumps
- Motors

MATERIALS

Rubber

- NBR 70 - 75 Shore A
- FKM 70 - 75 Shore A

Metal cage

- Steel - AISI 1010

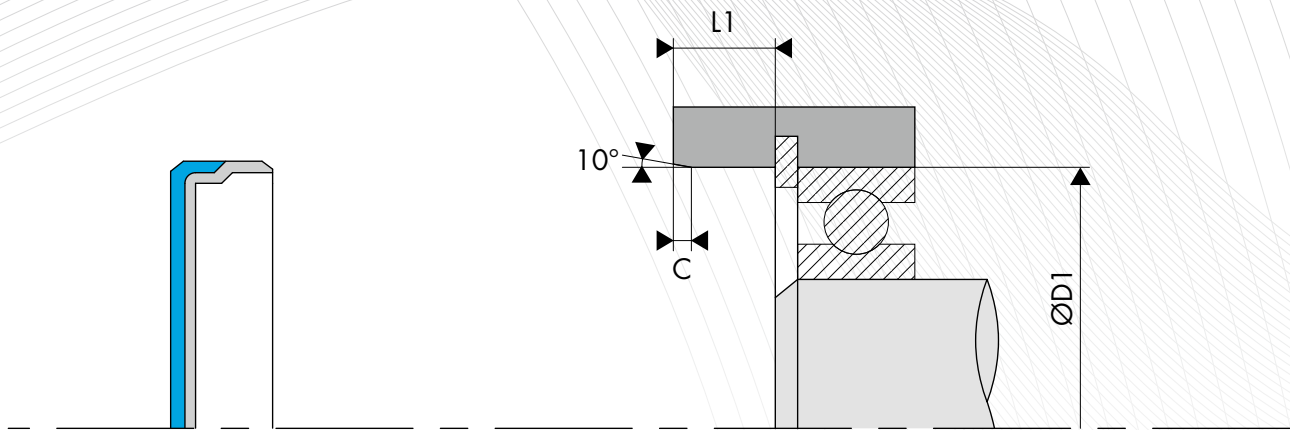
TECHNICAL DATA

Temperature	-40°C / +200°C
Pressure	0.50 MPa

The figures above indicate the maximum values and may not be cumulated. They may be developed, depending on the materials used.

CHAMFERS

Groove width L1	Chamfer C
4.00 - 5.00	1.00
6.00 - 7.00	1.30
8.00 - 9.50	1.50
10.00 - 11.00	1.80
12.00 - 15.00	2.00



DIMENSIONS

Part number	Bore diameter ØD1 H8	Groove width L1 0/+0.50
800.BC01005	10.00	5.00
800.BC02205	22.00	5.00
800.BC02207	22.00	7.00
800.BC02407	24.00	7.00
800.BC02807	28.00	7.00
800.BC03006	30.00	6.00
800.BC03007	30.00	7.00
800.BC03008	30.00	8.00
800.BC03208	32.00	8.00
800.BC03508	35.00	8.00
800.BC03707	37.00	7.00
800.BC03710	37.00	10.00
800.BC04005	40.00	5.00
800.BC04007	40.00	7.00
800.BC04207	42.00	7.00
800.BC04707	47.00	7.00
800.BC04710	47.00	10.00
800.BC05207	52.00	7.00
800.BC05210	52.00	10.00
800.BC05507	55.00	7.00
800.BC05508	55.00	8.00
800.BC05501	55.00	10.00
800.BC06208	62.00	8.00
800.BC06510	65.00	10.00
800.BC06808	68.00	8.00

Part number	Bore diameter ØD1 H8	Groove width L1 0/+0.50
800.BC07008	70.00	8.00
800.BC07209	72.00	9.00
800.BC07507	75.00	7.00
800.BC08008	80.00	8.00
800.BC08012	80.00	12.00
800.BC08510	85.00	10.00
800.BC08512	85.00	12.00
800.BC09012	90.00	12.00
800.BC09512	95.00	12.00
800.BC10012	100.00	12.00
800.BC11012	110.00	12.00
800.BC11512	115.00	12.00
800.BC12012	120.00	12.00
800.BC12512	125.00	12.00
800.BC13012	130.00	12.00
800.BC14015	140.00	15.00
800.BC14512	145.00	12.00
800.BC15015	150.00	15.00
800.BC16015	160.00	15.00
800.BC17015	170.00	15.00
800.BC20013	200.00	13.00
800.BC21015	210.00	15.00
800.BC22514	225.00	14.00
800.BC23014	230.00	14.00
800.BC24015	240.00	15.00