

## COVER SEALS EC



### DESCRIPTION

The EC profile is a cover seal composed of a single external metal cage with a rubber coating.

### ADVANTAGES

- Very good static sealing
- Very good thermal expansion compensation
- Greater roughness is allowed in the housing
- Reduced risk of corrosion

### APPLICATIONS

- Transmissions
- Gear motor
- Pumps
- Motors

### MATERIALS

**Rubber**

- NBR 70 - 75 Shore A
- FKM 70 - 75 Shore A

**Metal cage**

- Steel - AISI 1010

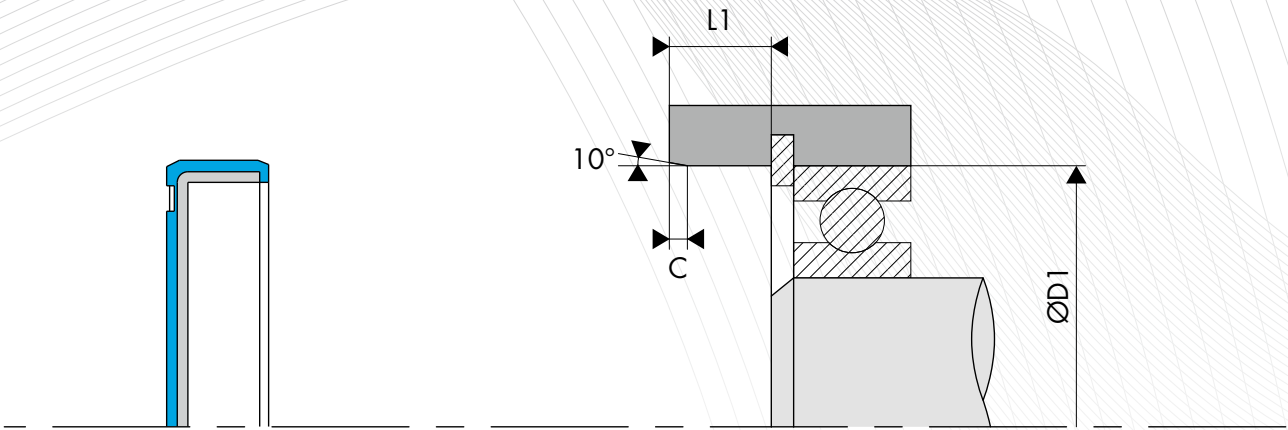
### TECHNICAL DATA

Temperature	-40°C / +200°C
Pressure	0.50 MPa

The figures above indicate the maximum values and may not be cumulated. They may be developed, depending on the materials used.

### CHAMFERS

Groove width L1	Chamfer C
4.00 - 5.00	1.00
6.00 - 7.00	1.30
8.00 - 9.50	1.50
10.00 - 11.00	1.80
12.00 - 15.00	2.00



**DIMENSIONS**

Part number	Bore diameter ØD1 H8	Groove width L1 0/+0.50
800.SC01005	10.00	5.00
800.SC01205	12.00	5.00
800.SC01304	13.00	4.00
800.SC01404	14.00	4.00
800.SC01604	16.00	4.00
800.SC01704	17.00	4.00
800.SC01804	18.00	4.00
800.SC01907	19.00	7.00
800.SC02004	20.00	4.00
800.SC02007	20.00	7.00
800.SC02204	22.00	4.00
800.SC02205	22.00	5.00
800.SC02207	22.00	7.00
800.SC02407	24.00	7.00
800.SC02505	25.00	5.00
800.SC02506	25.00	6.00
800.SC02507	25.00	7.00
800.SC02604	26.00	4.00
800.SC02804	28.00	4.00
800.SC02805	28.00	5.00
800.SC02807	28.00	7.00
800.SC02907	29.00	7.00
800.SC03004	30.00	4.00
800.SC03005	30.00	5.00
800.SC03006	30.00	6.00
800.SC03008	30.00	8.00
800.SC03205	32.00	5.00
800.SC03207	32.00	7.00
800.SC03208	32.00	8.00
800.SC03408	34.00	8.00
800.SC03505	35.00	5.00
800.SC03507	35.00	7.00
800.SC03508	35.00	8.00
800.SC03606	36.00	6.00
800.SC03705	37.00	5.00
800.SC03707	37.00	7.00
800.SC03710	37.00	10.00
800.SC03807	38.00	7.00
800.SC03810	38.00	10.00
800.SC04005	40.00	5.00
800.SC04007	40.00	7.00
800.SC04008	40.00	8.00
800.SC04207	42.00	7.00
800.SC04208	42.00	8.00
800.SC04407	44.00	7.00
800.SC04505	45.00	5.00

Part number	Bore diameter ØD1 H8	Groove width L1 0/+0.50
800.SC04704	47.00	4.00
800.SC04705	47.00	5.00
800.SC04707	47.00	7.00
800.SC04708	47.00	8.00
800.SC04710	47.00	10.00
800.SC05007	50.00	7.00
800.SC05009	50.00	9.00
800.SC05010	50.00	10.00
800.SC05016	50.00	16.00
800.SC05206	52.00	6.00
800.SC05207	52.00	7.00
800.SC05208	52.00	8.00
800.SC05210	52.00	10.00
800.SC05504	55.00	4.00
800.SC05506	55.00	6.00
800.SC05507	55.00	7.00
800.SC05510	55.00	10.00
800.SC05610	56.00	10.00
800.SC05708	57.00	8.00
800.SC05806	58.00	6.00
800.SC05807	58.00	7.00
800.SC06007	60.00	7.00
800.SC06008	60.00	8.00
800.SC06016	60.00	16.00
800.SC06207	62.00	7.00
800.SC06208	62.00	8.00
800.SC06210	62.00	10.00
800.SC06212	62.00	12.00
800.SC06508	65.00	8.00
800.SC06510	65.00	10.00
800.SC06808	68.00	8.00
800.SC06910	69.00	10.00
800.SC07010	70.00	10.00
800.SC07016	70.00	16.00
800.SC07207	72.00	7.00
800.SC07209	72.00	9.00
800.SC07210	72.00	10.00
800.SC07507	75.00	7.00
800.SC07510	75.00	10.00
800.SC07512	75.00	12.00
800.SC08008	80.00	8.00
800.SC08010	80.00	10.00
800.SC08012	80.00	12.00
800.SC08016	80.00	16.00
800.SC08112	81.00	12.00
800.SC08307	83.00	7.00

Part number	Bore diameter ØD1 H8	Groove width L1 0/+0.50
800.SC08510	85.00	10.00
800.SC08512	85.00	12.00
800.SC08520	85.00	20.00
800.SC08712	87.00	12.00
800.SC09007	90.00	7.00
800.SC09008	90.00	8.00
800.SC09010	90.00	10.00
800.SC09012	90.00	12.00
800.SC09510	95.00	10.00
800.SC10010	100.00	10.00
800.SC10012	100.00	12.00
800.SC10025	100.00	25.00
800.SC10031	100.00	31.00
800.SC11010	110.00	10.00
800.SC11012	110.00	12.00
800.SC11021	110.00	21.00
800.SC12008	120.00	8.00
800.SC12012	120.00	12.00
800.SC12027	120.00	27.00
800.SC12033	120.00	33.00
800.SC12512	125.00	12.00
800.SC13008	130.00	8.00
800.SC13012	130.00	12.00
800.SC13027	130.00	27.00
800.SC14012	140.00	12.00
800.SC14015	140.00	15.00

Part number	Bore diameter ØD1 H8	Groove width L1 0/+0.50
800.SC14037	140.00	37.00
800.SC14515	145.00	15.00
800.SC15015	150.00	15.00
800.SC15027	150.00	27.00
800.SC16015	160.00	15.00
800.SC16512	165.00	12.00
800.SC16715	167.00	15.00
800.SC16815	168.00	15.00
800.SC17015	170.00	15.00
800.SC17043	170.00	43.00
800.SC18012	180.00	12.00
800.SC18015	180.00	15.00
800.SC18030	180.00	30.00
800.SC18515	185.00	15.00
800.SC19012	190.00	12.00
800.SC20013	200.00	13.00
800.SC21015	210.00	15.00
800.SC21027	210.00	27.00
800.SC22514	225.00	14.00
800.SC23014	230.00	14.00
800.SC23515	235.00	15.00
800.SC24015	240.00	15.00
800.SC26015	260.00	15.00
800.SC27015	270.00	15.00
800.SC29015	290.00	15.00