

# GAMMA SEALS BECA 130



## DESCRIPTION

The BECA 130 profile is a gamma seal. Sealing happens when the axial force of the lip comes into contact with the housing. The metal part protects the rubber axial lip from external pollution.

## ADVANTAGES

- Good dynamic sealing
- Very good protection against external solid particles
- Modern axial sealing lip with a low radial load
- Low power loss
- Installation in a reduced size
- No additional retention system necessary

## APPLICATIONS

- Axles
- Machine tools
- Electric motors
- Pumps
- Transmissions

## MATERIALS

### Rubber

- NBR 70 - 75 Shore A
- FKM 70 - 75 Shore A

### Metal cage

- Steel - AISI 1010

## TECHNICAL DATA

Temperature	-30°C / +200°C
Speed	20 m/s
Media	Mineral hydraulic oils Synthetic lubricants

The figures above indicate the maximum values and may not be cumulated. They may be developed, depending on the materials used.

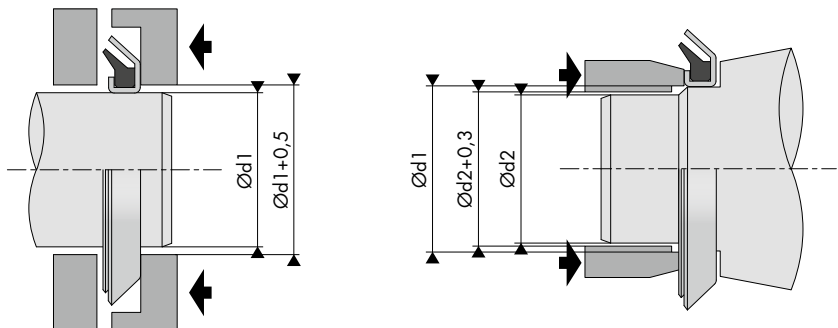
## SURFACE ROUGHNESS

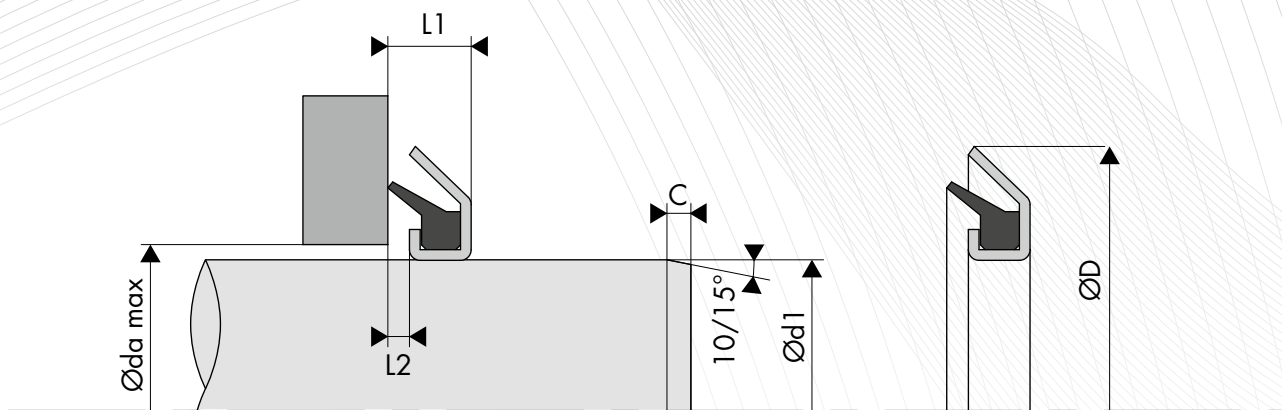
The recommended surface roughness for the shaft must not exceed 4 µm Ra. There must be no burrs or defects on the shaft.

## CHAMFERS AND ANGLES

Shaft diameter Ød1 h9	Angle	Chamfer C (+/-)
0.00 - 35.00	10° / 15°	2.00 (-0.25/-0.15)
36.00 - 50.00	10° / 15°	2.00 (-0.28/-0.18)
51.00 - 135.00	10° / 15°	2.00 (-0.30/-0.20)
136.00 - 200.00	10° / 15°	2.00 (-0.35/-0.25)

## ASSEMBLY RECOMMENDATIONS





## DIMENSIONS

Part number	Shaft diameter Ød1 h9	Outside diameter ØD	Width L1	Width of positioning L2	Bore diameter Øda max
130.010035	10.00	24.00	3.50	1.00	15.00
130.011035	11.00	26.00	3.50	1.00	17.00
130.012035	12.00	26.00	3.50	1.00	17.00
130.014040	14.00	30.00	4.00	1.00	21.00
130.015040	15.00	30.00	4.00	1.00	21.00
130.016040	16.00	32.00	4.00	1.00	23.00
130.017040	17.00	32.00	4.00	1.00	23.00
130.018040	18.00	33.00	4.00	1.00	24.00
130.020040	20.00	35.00	4.00	1.00	26.00
130.022040	22.00	40.00	4.00	1.00	28.00
130.024040	24.00	40.00	4.00	1.00	30.00
130.025040	25.00	40.00	4.00	1.00	31.00
130.026040	26.00	40.00	4.00	1.00	31.00
130.028040	28.00	43.00	4.00	1.00	32.00
130.030045	30.00	47.00	4.50	1.00	34.00
130.032045	32.00	49.00	4.50	1.00	37.00
130.035045	35.00	52.00	4.50	1.00	39.00
130.038045	38.00	55.00	4.50	1.00	42.00
130.040045	40.00	57.00	4.50	1.00	47.00
130.041045	41.00	57.00	4.50	1.00	48.00
130.042045	42.00	59.00	4.50	1.00	49.00
130.045045	45.00	62.00	4.50	1.00	52.00
130.048045	48.00	65.00	4.50	1.00	55.00
130.050055	50.00	70.00	5.50	1.00	58.00
130.052055	52.00	72.00	5.50	1.00	60.00
130.055055	55.00	75.00	5.50	1.00	63.00
130.058055	58.00	78.00	5.50	1.00	66.00
130.060055	60.00	80.00	5.50	1.00	68.00
130.062055	62.00	82.00	5.50	1.00	70.00
130.065055	65.00	85.00	5.50	1.00	73.00
130.068055	68.00	88.00	5.50	1.00	76.00
130.070055	70.00	90.00	5.50	1.00	78.00
130.072055	72.00	92.00	5.50	1.00	80.00
130.075055	75.00	95.00	5.50	1.00	83.00
130.078055	78.00	98.00	5.50	1.00	86.00
130.080055	80.00	100.00	5.50	1.00	88.00
130.085055	85.00	105.00	5.50	1.00	93.00
130.090055	90.00	110.00	5.50	1.00	98.00
130.095055	95.00	115.00	5.50	1.00	103.00
130.100055	100.00	120.00	5.50	1.00	108.00
130.105055	105.00	125.00	5.50	1.00	113.00
130.135065	135.00	159.00	6.50	1.00	145.00
130.225075	225.00	250.00	7.50	1.00	235.00