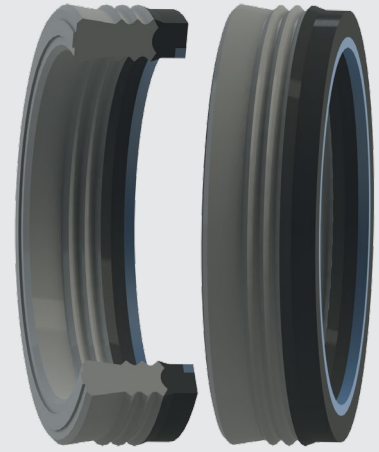


ROD SEALS BECA 202



DESCRIPTION

The BECA 202 is a compo-compact rod seal composed of a flexible NBR ring, a fabric NBR support on the back and a polyoxymethylene back-up ring.

ADVANTAGES

Excellent sealing under high pressure
Good extrusion resistance
Good sealing in difficult environments

APPLICATIONS

Hydraulic cylinders
Earth-moving machinery
Mining machinery

MATERIALS

NBR 90 Shore A + POM + TPE

TECHNICAL DATA

Temperature	-30°C / +100°C
Pressure	70 MPa
Speed	0.5 m/sec
Media	Mineral oils HFA, HFB and HFC hydraulic fluids

The figures above indicate the maximum values and may not be cumulated. They may be developed, depending on the materials used.

EXTRUSION GAPS

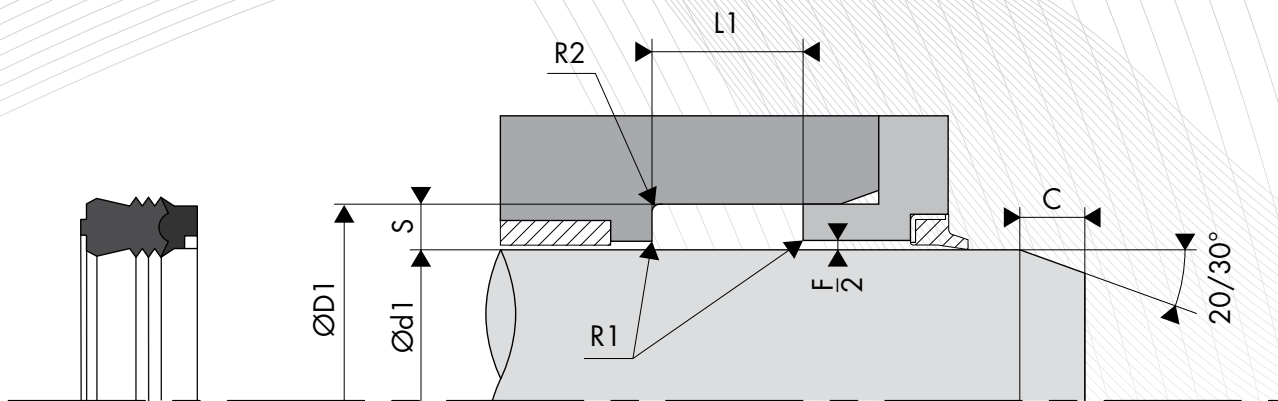
Radial section S	Radial gap F/2			
	16 MPa	26 MPa	32 MPa	40 MPa
≤ 5.00	0.50	0.40	0.35	-
≤ 7.50	0.55	0.45	0.40	0.35
≤ 12.50	0.60	0.50	0.45	0.40
≤ 15.00	0.65	0.55	0.45	0.40

SURFACE ROUGHNESS

Roughness	Dynamic surface area	Static surface area	Groove flanks
Ra	0.1 - 0.4 µm	≤1.6 µm	≤3.2 µm
Rz	0.63 - 2.5 µm	≤6.3 µm	≤10.0 µm
Rmax	1.0 - 4.0 µm	≤10.0 µm	≤16.0 µm

CHAMFERS AND RADIUS

Inside diameter d1	Radius R1	Radius R2	Chamfer C
≤ 50.00	0.30	0.40	2.50
≤ 100.00	0.30	0.80	4.00
≤ 150.00	0.30	0.80	5.00
> 150.00	0.30	1.00	6.50



DIMENSIONS

Part number	Rod diameter Ød1 f8	Groove diameter ØD1 H9	Groove width L1 0/+0.25
202.015020	15.00	27.00	20.00
202.020020	20.00	33.00	20.00
202.022020	22.00	35.00	20.00
202.025020	25.00	38.00	20.00
202.028020	28.00	41.00	20.00
202.030020	30.00	43.00	20.00
202.032022	32.00	47.00	22.50
202.035025	35.00	45.00	25.59
202.035022	35.00	47.00	22.50
202.035225	35.00	50.00	22.50
202.036022	36.00	51.00	22.50
202.040017	40.00	50.00	17.50
202.040022	40.00	52.00	22.50
202.040226	40.00	55.00	22.62
202.040030	40.00	60.00	30.00
202.045022	45.00	60.00	22.50
202.045028	45.00	65.00	28.00
202.050020	50.00	63.00	20.00
202.050022	50.00	65.00	22.50
202.050024	50.00	65.00	24.50
202.050030	50.00	70.00	30.00
202.050031	50.00	70.00	31.90
202.055022	55.00	70.00	22.50
202.055025	55.00	70.00	25.00
202.055030	55.00	75.00	30.00
202.055032	55.00	75.00	32.00
202.056022	56.00	71.00	22.50
202.056025	56.00	71.00	25.00
202.056028	56.00	76.00	28.00
202.060022	60.00	75.00	22.50
202.060025	60.00	75.00	25.00
202.060027	60.00	80.00	27.00
202.060030	60.00	80.00	30.00
202.060032	60.00	80.00	32.00
202.060034	60.00	80.00	34.90
202.063027	63.00	83.00	27.00
202.063029	63.00	83.00	29.00
202.063030	63.00	83.00	30.00
202.065029	65.00	85.00	29.00
202.070022	70.00	85.00	22.50
202.070025	70.00	85.00	25.00
202.070030	70.00	90.00	30.00
202.070031	70.00	90.00	31.90
202.075028	75.00	95.00	28.00
202.075030	75.00	95.00	30.00
202.765032	76.50	96.50	32.50
202.080030	80.00	100.00	30.00
202.085022	85.00	105.00	22.00

Part number	Rod diameter Ød1 f8	Groove diameter ØD1 H9	Groove width L1 0/+0.25
202.085030	85.00	105.00	30.00
202.090022	90.00	105.00	22.50
202.090025	90.00	105.00	25.00
202.090033	90.00	105.00	33.53
202.090030	90.00	110.00	30.00
202.090032	90.00	110.00	32.50
202.095028	95.00	115.00	28.00
202.100024	100.00	114.30	24.21
202.100030	100.00	120.00	30.00
202.105025	105.00	118.00	25.00
202.105034	105.00	120.00	34.00
202.105030	105.00	125.00	30.00
202.110032	110.00	130.00	32.50
202.110036	110.00	132.00	36.50
202.115030	115.00	130.00	30.00
202.120030	120.00	140.00	30.00
202.125029	125.00	145.00	29.62
202.130028	130.00	150.00	28.00
202.135028	135.00	155.00	28.00
202.140019	140.00	160.00	19.00
202.140028	140.00	160.00	28.00
202.140030	140.00	160.00	30.00
202.150028	150.00	170.00	28.00
202.155028	155.00	175.00	28.00
202.160028	160.00	180.00	28.00
202.165030	165.00	185.00	30.00
202.170035	170.00	195.00	35.00
202.175035	175.00	200.00	35.00
202.180035	180.00	205.00	35.00
202.185035	185.00	210.00	35.00
202.190035	190.00	215.00	35.00
202.195035	195.00	220.00	35.00
202.200035	200.00	225.00	35.00
202.210030	210.00	235.00	30.00
202.215035	215.00	240.00	35.00
202.220035	220.00	245.00	35.00
202.225035	225.00	250.00	35.00
202.230035	230.00	255.00	35.00
202.240035	240.00	265.00	35.00
202.250035	250.00	275.00	35.00
202.260030	260.00	280.00	30.00
202.265035	265.00	290.00	35.00
202.275035	275.00	300.00	35.00
202.280035	280.00	305.00	35.00
202.300035	300.00	325.00	35.00
202.335035	335.00	360.00	35.00

The figures highlighted in bold correspond to the rod diameters that are recommended by standard ISO 3320. Other intermediate sizes can be provided.