

WIPER SEALS BECA 382



DESCRIPTION

The BECA 382 profile is a U-ring type double acting wiper seal composed of two rubber wiping lips.

ADVANTAGES

Good wiping effect, both internally and externally
Easy assembly by deformation

APPLICATIONS

Agriculture
Mobile machinery
Material handling - Lifting
Hydraulic cylinders

MATERIALS

NBR 90 Shore A
FKM 90 Shore A

Other grades of materials are available.
Please contact our experts.

TECHNICAL DATA

Temperature	-30°C / +200°C
Speed	1 m/s
Media	Mineral hydraulic oils Fire-resistant liquids Biocompatible fluids Water Others (contact our experts)

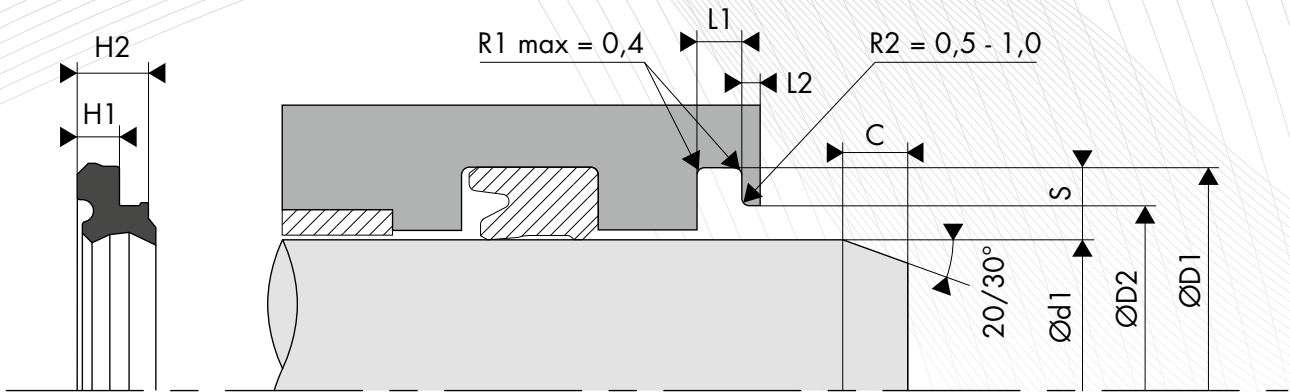
The figures above indicate the maximum values and may not be cumulated. They may be developed, depending on the materials used.

SURFACE ROUGHNESS

Roughness	Dynamic surface area	Static surface area	Groove flanks
Ra	0.1 - 0.4 µm	≤1.6 µm	≤3.2 µm
Rz	0.63 - 2.5 µm	≤6.3 µm	≤10.0 µm
Rmax	1.0 - 4.0 µm	≤10.0 µm	≤16.0 µm

CHAMFER

The chamfer length as well as the chamfer angle are determined by the rod seal.



DIMENSIONS

Part number	Rod diameter Ød1 f8	Groove diameter ØD1 H8	Bore diameter ØD2 H11	Groove width L1 0/+0.20	Seal height H2
382.0020028	20.00	28.00	24.00	3.30	3.60
382.0090105	90.00	105.00	98.00	5.10	8.10
382.0110122	110.00	122.00	118.00	5.10	8.10
382.0115130	115.00	130.00	123.00	5.10	8.10
382.0140155	140.00	155.00	148.00	6.00	10.00
382.0145155	145.00	155.00	149.00	6.00	10.00
382.0160175	160.00	175.00	168.00	6.00	10.00
382.0165180	165.00	180.00	173.00	6.00	10.00
382.0175185	175.00	185.00	179.00	6.00	10.00
382.0190209	190.00	209.00	199.00	6.00	10.00

The figures highlighted in bold correspond to the rod diameters that are recommended by standard ISO 3320. Other intermediate sizes can be provided.