

WIPER SEALS BECA 417



DESCRIPTION

The BECA 417 profile is a stepped double acting wiper seal composed of two rubber wiping lips.

ADVANTAGES

Low friction
Good wiping effect, both internally and externally
Easy assembly by deformation

APPLICATIONS

Agriculture
Mobile machinery
Material handling - Lifting
Hydraulic cylinders

MATERIALS

NBR 90 Shore A
FKM 90 Shore A

Other grades of materials are available.
Please contact our experts.

TECHNICAL DATA

Temperature	-30°C / +200°C
Speed	1 m/s
Media	Mineral hydraulic oils Fire-resistant liquids Biocompatible fluids Water Others (contact our experts)

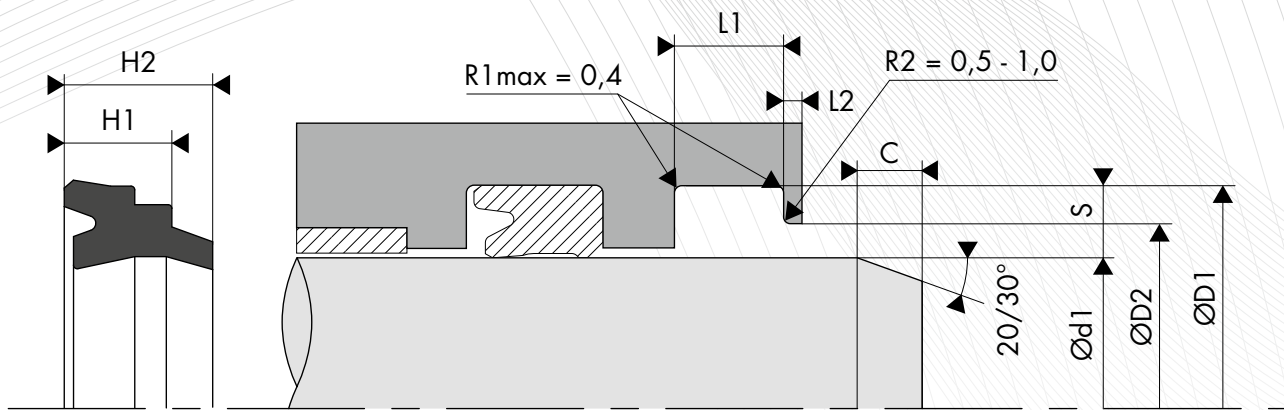
The figures above indicate the maximum values and may not be cumulated. They may be developed, depending on the materials used.

SURFACE ROUGHNESS

Roughness	Dynamic surface area	Static surface area	Groove flanks
Ra	0.1 - 0.4 µm	≤1.6 µm	≤3.2 µm
Rz	0.63 - 2.5 µm	≤6.3 µm	≤10.0 µm
Rmax	1.0 - 4.0 µm	≤10.0 µm	≤16.0 µm

CHAMFER

The chamfer length as well as the chamfer angle are determined by the rod seal.



DIMENSIONS

Part number	Rod diameter Ød1 f8/h9	Groove diameter ØD1 H9	Bore diameter ØD2 H11	Groove width L1 0/+0.20	Seal height H2	Groove width L2 0/+0.20
417.0100186	10.00	18.00	13.50	6.00	8.00	2.00
417.0120206	12.00	20.00	15.50	6.00	8.00	2.00
417.0140226	14.00	22.00	17.50	6.00	8.00	2.00
417.0150236	15.00	23.00	18.50	6.00	8.00	2.00
417.0160246	16.00	24.00	19.50	6.00	8.00	2.00
417.0180266	18.00	26.00	21.50	6.00	8.00	2.00
417.0200286	20.00	28.00	23.50	6.00	8.00	2.00
417.0220306	22.00	30.00	25.50	6.00	8.00	2.00
417.0240326	24.00	32.00	27.50	6.00	8.00	2.00
417.0250336	25.00	33.00	28.50	6.00	8.00	2.00
417.0280366	28.00	36.00	31.50	6.00	8.00	2.00
417.0300386	30.00	38.00	33.50	6.00	8.00	2.00
417.0320406	32.00	40.00	35.50	6.00	8.00	2.00
417.0350436	35.00	43.00	38.50	6.00	8.00	2.00
417.0360446	36.00	44.00	39.50	6.00	8.00	2.00
417.0370456	37.00	45.00	40.50	6.00	8.00	2.00
417.0380466	38.00	46.00	41.50	6.00	8.00	2.00
417.0400486	40.00	48.00	43.50	6.00	8.00	2.00
417.0420506	42.00	50.00	45.50	6.00	8.00	2.00
417.0450536	45.00	53.00	48.50	6.00	8.00	2.00
417.0460546	46.00	54.00	49.50	6.00	8.00	2.00
417.0480566	48.00	56.00	51.50	6.00	8.00	2.00
417.0500586	50.00	58.00	53.50	6.00	8.00	2.00
417.0550606	52.00	60.00	55.50	6.00	8.00	2.00
417.0550636	55.00	63.00	58.50	6.00	8.00	2.00
417.0560646	56.00	64.00	59.50	6.00	8.00	2.00
417.0600686	60.00	68.00	63.50	6.00	8.00	2.00
417.0600728	60.00	72.00	65.00	8.20	11.00	3.00
417.0630716	63.00	71.00	66.50	6.00	8.00	2.00
417.0650736	65.00	73.00	68.50	6.00	8.00	2.00
417.0680766	68.00	76.00	71.50	6.00	8.00	2.00
417.0700786	70.00	78.00	73.50	6.00	8.00	2.00
417.0750836	75.00	83.00	78.50	6.00	8.00	2.00
417.0800886	80.00	88.00	83.50	6.00	8.00	2.00
417.0850936	85.00	93.00	88.50	6.00	8.00	2.00
417.0900986	90.00	98.00	93.50	6.00	8.00	2.00
417.0951036	95.00	103.00	98.50	6.00	8.00	2.00
417.1001086	100.00	108.00	103.50	6.00	8.00	2.00
417.1051178	105.00	117.00	110.00	8.20	11.00	3.00
417.1101228	110.00	122.00	115.00	8.20	11.00	3.00
417.1151278	115.00	127.00	120.00	8.20	11.00	3.00
417.1201328	120.00	132.00	125.00	8.20	11.00	3.00
417.1251358	125.00	135.00	130.00	8.20	11.00	3.00
417.1301428	130.00	142.00	135.00	8.20	11.00	3.00
417.1351478	135.00	147.00	140.00	8.20	11.00	3.00
417.1401528	140.00	152.00	145.00	8.20	11.00	3.00

Part number	Rod diameter Ød1 f8/h9	Groove diameter ØD1 H9	Bore diameter ØD2 H11	Groove width L1 0/+0.20	Seal height H2	Groove width L2 0/+0.20
417.1451578	145.00	157.00	150.00	8.20	11.00	3.00
417.1501628	150.00	162.00	155.00	8.20	11.00	3.00
417.1551678	155.00	167.00	160.00	8.20	11.00	3.00
417.1651778	165.00	177.00	170.00	8.20	11.00	3.00
417.1701828	170.00	182.00	175.00	8.20	11.00	3.00
417.1751878	175.00	187.00	180.00	8.20	11.00	3.00
417.1801928	180.00	192.00	185.00	8.20	11.00	3.00
417.1851978	185.00	197.00	190.00	8.20	11.00	3.00
417.1902028	190.00	202.00	195.00	8.20	11.00	3.00
417.1952078	195.00	207.00	200.00	8.20	11.00	3.00
417.2002128	200.00	212.00	205.00	8.20	11.00	3.00
417.2052209	205.00	220.00	212.00	9.50	13.00	3.00
417.2102259	210.00	225.00	217.00	9.50	13.00	3.00
417.2152309	215.00	230.00	222.00	9.50	13.00	3.00
417.2202359	220.00	235.00	227.00	9.50	13.00	3.00
417.2252409	225.00	240.00	232.00	9.50	13.00	3.00
417.2302459	230.00	245.00	237.00	9.50	13.00	3.00
417.2402559	240.00	255.00	247.00	9.50	13.00	3.00
417.2502659	250.00	265.00	257.00	9.50	13.00	3.00
417.2602759	260.00	275.00	267.00	9.50	13.00	3.00
417.2702859	270.00	285.00	277.00	9.50	13.00	3.00
417.2802959	280.00	295.00	287.00	9.50	13.00	3.00
417.2903059	290.00	305.00	297.00	9.50	13.00	3.00
417.3003159	300.00	315.00	307.00	9.50	13.00	3.00
417.3103259	310.00	325.00	317.00	9.50	13.00	3.00
417.3203359	320.00	335.00	327.00	9.50	13.00	3.00
417.3303459	330.00	345.00	337.00	9.50	13.00	3.00
417.3403559	340.00	355.00	347.00	9.50	13.00	3.00
417.3503659	350.00	365.00	357.00	9.50	13.00	3.00
417.3603759	360.00	375.00	367.00	9.50	13.00	3.00
417.3703859	370.00	385.00	377.00	9.50	13.00	3.00
417.3803959	380.00	395.00	387.00	9.50	13.00	3.00
417.3904059	390.00	405.00	397.00	9.50	13.00	3.00
417.4004159	400.00	415.00	407.00	9.50	13.00	3.00
417.4104259	410.00	425.00	417.00	9.50	13.00	3.00
417.4204359	420.00	435.00	427.00	9.50	13.00	3.00
417.4304459	430.00	445.00	437.00	9.50	13.00	3.00
417.4404559	440.00	455.00	447.00	9.50	13.00	3.00

The figures highlighted in bold correspond to the rod diameters that are recommended by standard ISO 3320. Other intermediate sizes can be provided.