

WIPER SEALS BECA 461



DESCRIPTION

The BECA 461 profile is a single acting wiper seal composed of a polyurethane wiping lip.

ADVANTAGES

Good external wiping effect
Excellent abrasion and wear resistance
Easy assembly by deformation

APPLICATIONS

Agriculture
Mobile machinery
Material handling - Lifting
Hydraulic cylinders

MATERIALS

PU 93 Shore A - Blue
PU 96 Shore A - Blue
High temp. PU 96 Shore A - Beige

Other grades of materials are available.
Please contact our experts.

TECHNICAL DATA

Temperature	-30°C / +110°C
Speed	1 m/s
Media	Mineral hydraulic oils

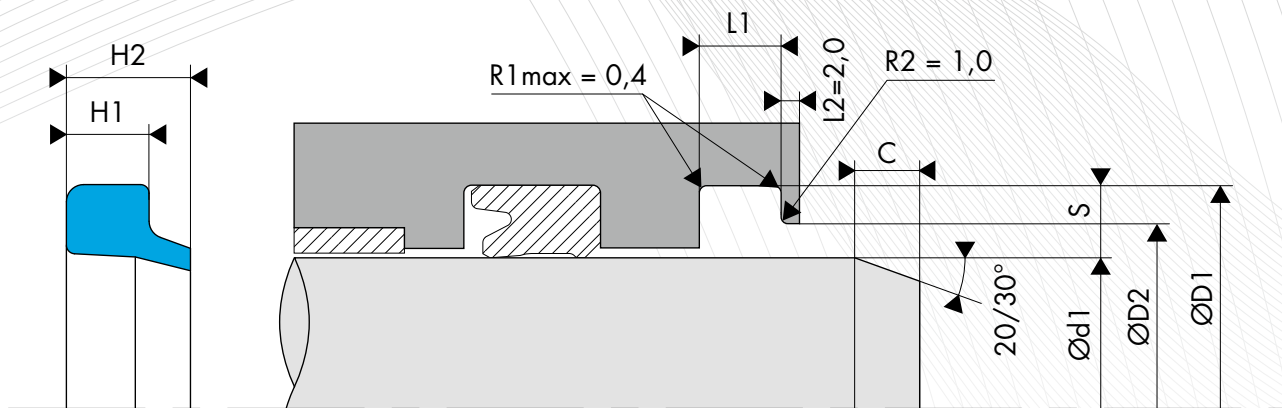
The figures above indicate the maximum values and may not be cumulated. They may be developed, depending on the materials used.

SURFACE ROUGHNESS

Roughness	Dynamic surface area	Static surface area	Groove flanks
Ra	0.1 - 0.4 µm	≤1.6 µm	≤3.2 µm
Rz	0.63 - 2.5 µm	≤6.3 µm	≤10.0 µm
Rmax	1.0 - 4.0 µm	≤10.0 µm	≤16.0 µm

CHAMFER

The chamfer length as well as the chamfer angle are determined by the rod seal.



DIMENSIONS

Part number	Rod diameter Ød1 f8/h9	Groove diameter ØD1 H9	Bore diameter ØD2 H11	Groove width L1 0/+0.20
461.0050122	5.00	12.00	8.00	2.80
461.0060123	6.00	12.00	9.00	3.00
461.0080143	8.00	14.60	11.00	3.80
461.0100151	10.00	15.00	13.00	1.00
461.0100163	10.00	16.60	13.00	3.80
461.0120183	12.00	18.60	15.00	3.80
461.0130193	13.00	19.60	16.00	3.80
461.0140203	14.00	20.60	17.00	3.80
461.0150213	15.00	21.60	18.00	3.80
461.0160223	16.00	22.60	19.00	3.80
461.0180243	18.00	24.60	21.00	3.80
461.0200285	20.00	28.60	23.00	5.30
461.0220305	22.00	30.60	25.00	5.30
461.0240325	24.00	32.60	27.00	5.30
461.0250335	25.00	33.60	28.00	5.30
461.0260345	26.00	34.60	29.00	5.30
461.0270355	27.00	35.60	30.00	5.30
461.0280365	28.00	36.60	31.00	5.30
461.0300380	30.00	38.00	33.00	5.30
461.0300385	30.00	38.60	33.00	5.30
461.0320405	32.00	40.60	35.00	5.30
461.0330415	33.00	41.60	38.00	5.30
461.0350435	35.00	43.60	38.00	5.30
461.0360445	36.00	44.60	39.00	5.30
461.0380465	38.00	46.60	41.00	5.30
461.0400485	40.00	48.60	43.00	5.30
461.0420505	42.00	50.60	45.00	5.30
461.0450535	45.00	53.60	48.00	5.30
461.0460545	46.00	54.60	49.00	5.30
461.0480565	48.00	56.60	51.00	5.30
461.0490575	49.00	57.60	52.00	5.30
461.0500580	50.00	58.00	53.00	5.30
461.0500585	50.00	58.60	53.00	5.30
461.0530615	53.00	61.60	56.00	5.30
461.0550635	55.00	63.60	58.00	5.30
461.0550655	55.00	65.60	58.00	5.30
461.0560645	56.00	64.60	59.00	5.30
461.0600680	60.00	68.00	63.00	5.30
461.0600685	60.00	68.60	63.00	5.30
461.0600705	60.00	70.00	63.00	5.00
461.0610695	61.00	69.60	64.00	5.30
461.0630715	63.00	71.60	66.00	5.30
461.0650735	65.00	73.60	68.00	5.30
461.0700785	70.00	78.60	73.00	5.30
461.0700805	70.00	80.00	73.00	5.00

Part number	Rod diameter Ød1 f8/h9	Groove diameter ØD1 H9	Bore diameter ØD2 H11	Groove width L1 0/+0.20
461.0700827	70.00	82.60	76.00	7.10
461.0720805	72.00	80.60	75.00	5.30
461.0730815	73.00	81.60	76.00	5.30
461.0750835	75.00	83.60	78.00	5.30
461.0750877	75.00	87.20	81.00	7.10
461.0760845	76.00	84.60	79.00	5.30
461.0800885	80.00	88.60	83.00	5.30
461.0800907	80.00	90.20	83.00	7.10
461.0800927	80.00	92.60	83.00	7.10
461.0850935	85.00	93.60	88.00	5.30
461.0850977	85.00	97.20	91.00	7.10
461.0901027	90.00	102.20	96.00	7.10
461.0910995	91.00	99.60	94.00	5.30
461.0951077	95.00	107.20	101.00	7.10
461.1001085	100.00	108.60	103.00	5.30
461.1001127	100.00	112.20	106.00	7.10
461.1051135	105.00	113.60	108.00	5.30
461.1051177	105.00	117.20	111.00	7.10
461.1071155	107.00	115.60	110.00	5.30
461.1101185	110.00	118.60	113.00	5.30
461.1101227	110.00	122.20	116.00	7.10
461.1151277	115.00	127.20	121.00	7.10
461.1201327	120.00	132.20	126.00	7.10
461.1251377	125.00	137.20	131.00	7.10
461.1261345	126.00	134.60	129.00	5.30
461.1301427	130.00	142.20	136.00	7.10
461.1351477	135.00	147.20	141.00	7.10
461.1401527	140.00	152.20	146.00	7.10
461.1401559	140.00	155.00	146.50	9.00
461.1451577	145.00	157.20	151.00	7.10
461.1501627	150.00	162.20	156.00	7.10
461.1601727	160.00	172.20	166.00	7.10
461.1601751	160.00	175.20	168.00	10.10
461.1651701	165.00	170.20	173.00	10.10
461.1701851	170.00	185.20	178.00	10.10
461.1751901	175.00	190.20	183.00	10.10
461.1801951	180.00	195.20	188.00	10.10
461.1802001	180.00	200.20	183.00	10.20
461.1902051	190.00	205.20	198.00	10.10
461.2002151	200.00	215.20	208.00	10.10
461.2102251	210.00	225.20	218.00	10.10
461.2202351	220.00	235.20	228.00	10.10
461.2302451	230.00	245.20	238.00	10.10
461.2402551	240.00	255.20	248.00	10.10
461.2502651	250.00	265.20	258.00	10.10

The figures highlighted in bold correspond to the rod diameters that are recommended by standard ISO 3320. Other intermediate sizes can be provided.