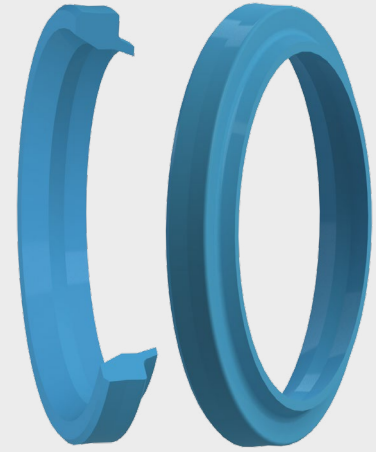


## WIPER SEALS BECA 464



### DESCRIPTION

The BECA 464 profile is a single acting wiper seal composed of a polyurethane wiping lip and a diagonally cut back.

### ADVANTAGES

Good external wiping effect  
Excellent abrasion and wear resistance  
Easy assembly by deformation

### APPLICATIONS

Agriculture  
Mobile machinery  
Material handling - Lifting  
Hydraulic cylinders

### MATERIALS

PU 93 Shore A - Blue  
PU 96 Shore A - Blue  
High temp. PU 96 Shore A - Beige

Other grades of materials are available.  
Please contact our experts.

### TECHNICAL DATA

Temperature	-30°C / +110°C
Speed	1 m/s
Media	Mineral hydraulic oils

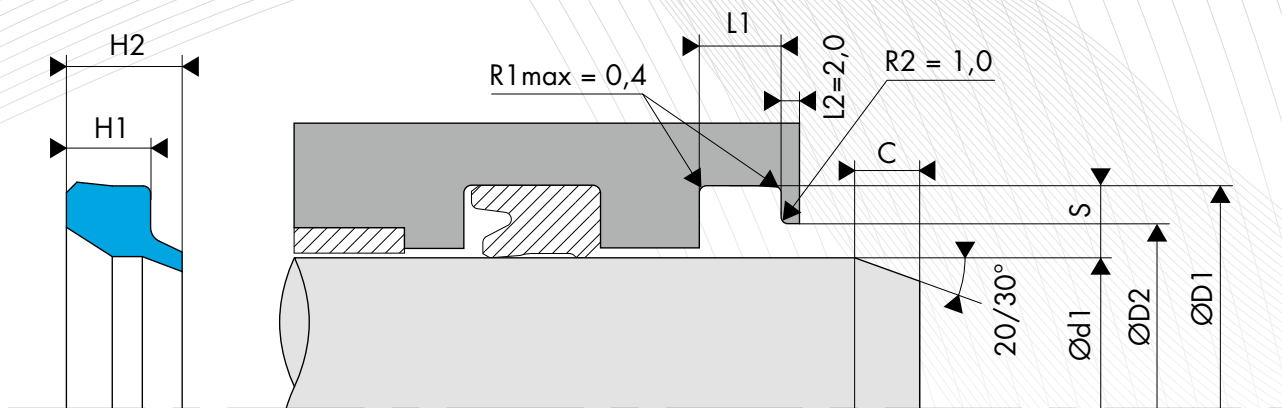
The figures above indicate the maximum values and may not be cumulated. They may be developed, depending on the materials used.

### SURFACE ROUGHNESS

Roughness	Dynamic surface area	Static surface area	Groove flanks
Ra	0.1 - 0.4 µm	≤1.6 µm	≤3.2 µm
Rz	0.63 - 2.5 µm	≤6.3 µm	≤10.0 µm
Rmax	1.0 - 4.0 µm	≤10.0 µm	≤16.0 µm

### CHAMFER

The chamfer length as well as the chamfer angle are determined by the rod seal.



**DIMENSIONS**

Part number	Rod diameter Ød1 f8/h9	Groove diameter ØD1 H9	Bore diameter ØD2 H11	Groove width L1 0/+0.20	Seal height H2
464.3016022	16.00	22.00	18.50	4.00	5.30
464.3018024	18.00	24.00	20.50	4.00	5.30
464.3020026	20.00	26.00	22.50	4.00	5.30
464.3022028	22.00	28.00	24.50	4.00	5.30
464.3025033	25.00	33.00	28.00	5.00	6.40
464.3028036	28.00	36.00	31.00	5.00	6.40
464.0300404	30.00	40.00	35.00	4.00	8.00
464.3032040	32.00	40.00	35.00	5.00	6.40
464.3036044	36.00	44.00	39.00	5.00	6.40
464.3040048	40.00	48.00	43.00	5.00	6.40
464.3045053	45.00	53.00	48.00	5.00	6.40
464.3050058	50.00	58.00	53.00	5.00	6.40
464.3056066	56.00	66.00	59.00	6.00	7.30
464.3060068	60.00	68.00	63.00	5.00	6.70
464.3063073	63.00	73.00	66.00	6.00	7.30
464.3070080	70.00	80.00	73.00	6.00	7.30
464.3075083	75.00	83.00	78.00	5.00	6.70
464.3080090	80.00	90.00	83.00	6.00	7.30
464.3090098	90.00	98.00	93.00	5.00	6.70
464.3090100	90.00	100.00	93.00	6.00	7.30
464.3100115	100.00	115.00	104.00	8.50	10.30
464.3105113	105.00	113.00	102.00	5.00	6.70
464.3110125	110.00	125.00	114.00	8.50	10.30

The figures highlighted in bold correspond to the rod diameters that are recommended by standard ISO 3320. Other intermediate sizes can be provided.