

## WIPER SEALS BECA 465



### DESCRIPTION

The BECA 465 profile is a compact double acting wiper seal composed of two polyurethane wiping lips. It can be assembled in a groove in line with standard ISO 6195 type C.

### ADVANTAGES

Excellent abrasion and wear resistance  
 Good wiping effect, both internally and externally  
 Easy assembly by deformation

### APPLICATIONS

Agriculture  
 Mobile machinery  
 Material handling - Lifting  
 Hydraulic cylinders

### MATERIALS

PU 93 Shore A - Blue  
 PU 96 Shore A - Blue  
 High temp. PU 96 Shore A - Beige

Other grades of materials are available.  
 Please contact our experts.

### TECHNICAL DATA

<b>Temperature</b>	-30°C / +110°C
<b>Speed</b>	1 m/s
<b>Media</b>	Mineral hydraulic oils Fire-resistant liquids Biocompatible fluids Water Others (contact our experts)

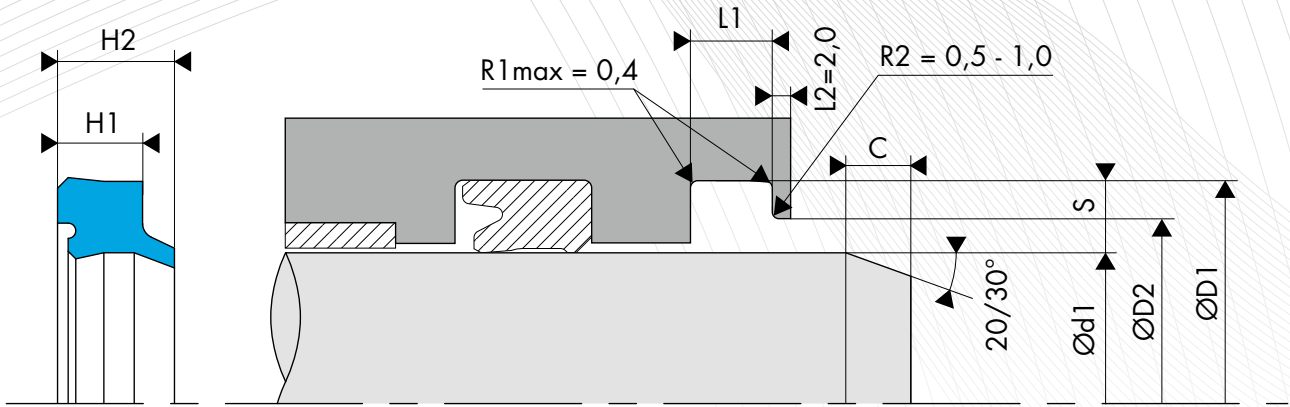
The figures above indicate the maximum values and may not be cumulated. They may be developed, depending on the materials used.

### SURFACE ROUGHNESS

Roughness	Dynamic surface area	Static surface area	Groove flanks
Ra	0.1 - 0.4 µm	≤1.6 µm	≤3.2 µm
Rz	0.63 - 2.5 µm	≤6.3 µm	≤10.0 µm
Rmax	1.0 - 4.0 µm	≤10.0 µm	≤16.0 µm

### CHAMFER

The chamfer length as well as the chamfer angle are determined by the rod seal.



**DIMENSIONS**

Part number	Rod diameter Ød1 f8/h9	Groove diameter ØD1 H9	Bore diameter ØD2 H11	Groove width L1 0/+0.20	Seal height H2
465.3016022	16.00	22.00	18.50	4.00	5.30
465.3018024	18.00	24.00	20.50	4.00	5.30
465.3020026	20.00	26.00	22.50	4.00	5.30
465.3022028	22.00	28.00	24.50	4.00	5.30
465.3025033	25.00	33.00	28.00	5.00	6.40
<b>465.3028036</b>	<b>28.00</b>	<b>36.00</b>	<b>31.00</b>	<b>5.00</b>	<b>6.40</b>
<b>465.3032040</b>	<b>32.00</b>	<b>40.00</b>	<b>35.00</b>	<b>5.00</b>	<b>6.40</b>
<b>465.3036044</b>	<b>36.00</b>	<b>44.00</b>	<b>39.00</b>	<b>5.00</b>	<b>6.40</b>
<b>465.3040048</b>	<b>40.00</b>	<b>48.00</b>	<b>43.00</b>	<b>5.00</b>	<b>6.40</b>
<b>465.3045053</b>	<b>45.00</b>	<b>53.00</b>	<b>48.00</b>	<b>5.00</b>	<b>6.40</b>
<b>465.3050058</b>	<b>50.00</b>	<b>58.00</b>	<b>53.00</b>	<b>5.00</b>	<b>6.40</b>
<b>465.3056066</b>	<b>56.00</b>	<b>66.00</b>	<b>59.00</b>	<b>6.00</b>	<b>7.30</b>
465.3061069	61.00	69.00	64.00	5.00	6.40
<b>465.3063073</b>	<b>63.00</b>	<b>73.00</b>	<b>66.00</b>	<b>6.00</b>	<b>7.30</b>
465.3068076	68.00	76.00	71.00	5.00	6.40
<b>465.3070080</b>	<b>70.00</b>	<b>80.00</b>	<b>73.00</b>	<b>6.00</b>	<b>7.30</b>
465.3076084	76.00	84.00	79.00	5.00	6.40
<b>465.3080090</b>	<b>80.00</b>	<b>90.00</b>	<b>83.00</b>	<b>6.00</b>	<b>7.30</b>
465.3088096	88.00	96.00	91.00	5.00	6.40
<b>465.3090100</b>	<b>90.00</b>	<b>100.00</b>	<b>93.00</b>	<b>6.00</b>	<b>7.30</b>
465.3091099	91.00	99.00	94.00	5.00	6.40
465.3100115	100.00	115.00	104.00	8.50	10.30
465.3107115	107.00	115.00	110.00	5.00	6.40
<b>465.3110125</b>	<b>110.00</b>	<b>125.00</b>	<b>114.00</b>	<b>8.50</b>	<b>10.30</b>
<b>465.3125140</b>	<b>125.00</b>	<b>140.00</b>	<b>129.00</b>	<b>8.50</b>	<b>10.30</b>
465.3126134	126.00	134.00	129.00	5.00	6.40
465.3147155	147.00	155.00	150.00	5.00	6.40
465.3170178	170.00	178.00	173.00	5.00	6.40

The figures highlighted in bold correspond to the dimensions for standard ISO 6195 Type C, with the rod diameters in line with standard ISO 3320. Other intermediate sizes can be provided.