

# WIPER SEALS

## BECA 466



### DESCRIPTION

The BECA 466 profile is a compact double acting wiper seal composed of two rubber wiping lips. It can be assembled in a groove in line with standard ISO 6195 type C.

### ADVANTAGES

Wide temperature range, depending on the material chosen  
 Good wiping effect, both internally and externally  
 Easy assembly by deformation

### APPLICATIONS

Agriculture  
 Mobile machinery  
 Material handling - Lifting  
 Hydraulic cylinders

### MATERIALS

NBR 90 Shore A  
 FKM 90 Shore A

Other grades of materials are available. Please contact our experts.

### TECHNICAL DATA

<b>Temperature</b>	-30°C / +200°C
<b>Speed</b>	1 m/s
<b>Media</b>	Mineral hydraulic oils Fire-resistant liquids Biocompatible fluids Water Others (contact our experts)

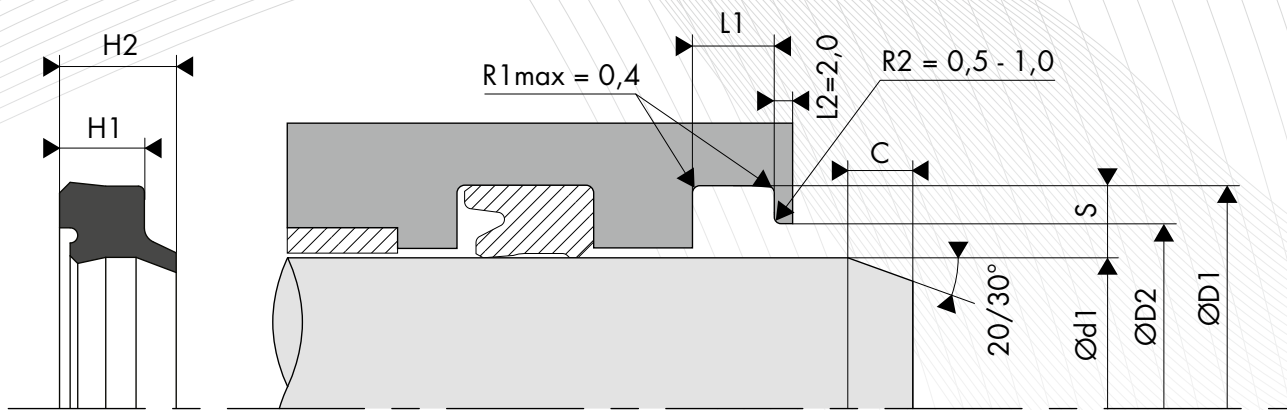
The figures above indicate the maximum values and may not be cumulated. They may be developed, depending on the materials used.

### SURFACE ROUGHNESS

Roughness	Dynamic surface area	Static surface area	Groove flanks
Ra	0.1 - 0.4 µm	≤1.6 µm	≤3.2 µm
Rz	0.63 - 2.5 µm	≤6.3 µm	≤10.0 µm
Rmax	1.0 - 4.0 µm	≤10.0 µm	≤16.0 µm

### CHAMFER

The chamfer length as well as the chamfer angle are determined by the rod seal.



**DIMENSIONS**

Part number	Rod diameter Ød1 f8/h9	Groove diameter ØD1 H9	Bore diameter ØD2 H11	Groove width L1 0/+0.20	Seal height H2
466.0160224	16.00	22.00	18.50	4.00	5.30
466.0180244	18.00	24.00	20.50	4.00	5.30
466.0220284	22.00	28.00	24.50	4.00	5.30
<b>466.0280365</b>	<b>28.00</b>	<b>36.00</b>	<b>31.00</b>	<b>5.00</b>	<b>6.40</b>
<b>466.0360445</b>	<b>36.00</b>	<b>44.00</b>	<b>39.00</b>	<b>5.00</b>	<b>6.40</b>
<b>466.0450535</b>	<b>45.00</b>	<b>53.00</b>	<b>48.00</b>	<b>5.00</b>	<b>6.40</b>
<b>466.0560666</b>	<b>56.00</b>	<b>66.00</b>	<b>59.00</b>	<b>6.00</b>	<b>7.30</b>
<b>466.0700806</b>	<b>70.00</b>	<b>80.00</b>	<b>73.00</b>	<b>6.00</b>	<b>7.30</b>
<b>466.0901006</b>	<b>90.00</b>	<b>100.00</b>	<b>93.00</b>	<b>6.00</b>	<b>7.30</b>
<b>466.1101258</b>	<b>110.00</b>	<b>125.00</b>	<b>114.00</b>	<b>8.50</b>	<b>10.30</b>
<b>466.1251408</b>	<b>125.00</b>	<b>140.00</b>	<b>129.00</b>	<b>8.50</b>	<b>10.30</b>
<b>466.1401558</b>	<b>140.00</b>	<b>155.00</b>	<b>144.00</b>	<b>8.50</b>	<b>10.30</b>
<b>466.2002158</b>	<b>200.00</b>	<b>215.00</b>	<b>204.00</b>	<b>8.50</b>	<b>10.30</b>

The figures highlighted in bold correspond to the dimensions for standard ISO 6195 Type C, with the rod diameters in line with standard ISO 3320. Other intermediate sizes can be provided.