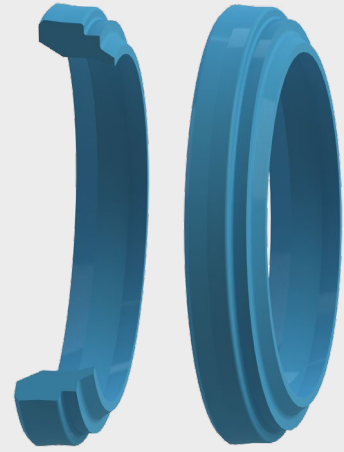


WIPER SEALS BECA 467



DESCRIPTION

The BECA 467 profile is a stepped compact single acting wiper seal composed of a polyurethane wiping lip and a diagonally cut back. It can be assembled in a groove in line with standard ISO 6195 type A.

ADVANTAGES

Excellent abrasion and wear resistance
Good external wiping effect
Easy assembly by deformation

APPLICATIONS

Agriculture
Mobile machinery
Material handling - Lifting
Hydraulic cylinders

MATERIALS

PU 93 Shore A - Blue
PU 96 Shore A - Blue
High temp. PU 93 Shore A - Beige

Other grades of materials are available.
Please contact our experts.

TECHNICAL DATA

Temperature	-30°C / +110°C
Speed	1 m/s
Media	Mineral hydraulic oils

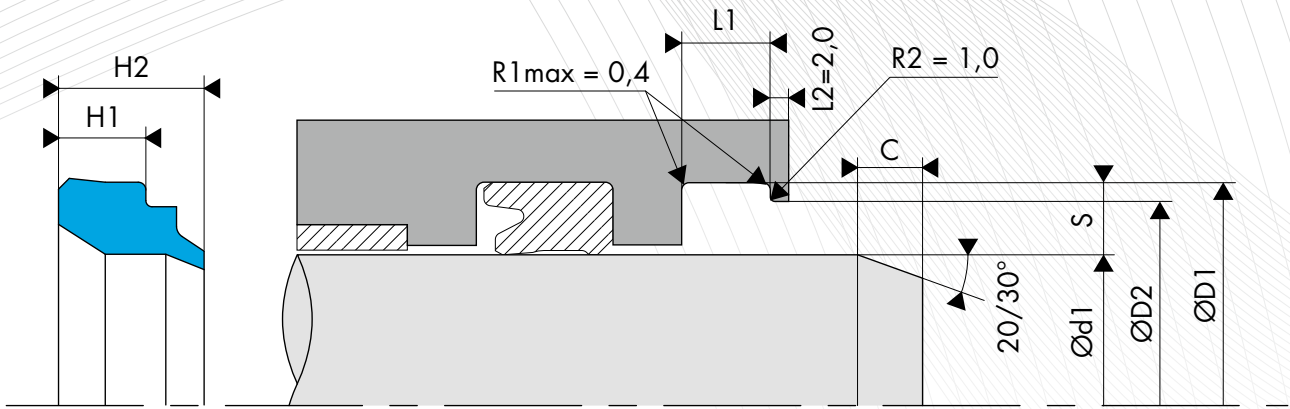
The figures above indicate the maximum values and may not be cumulated. They may be developed, depending on the materials used.

SURFACE ROUGHNESS

Roughness	Dynamic surface area	Static surface area	Groove flanks
Ra	0.1 - 0.4 µm	≤1.6 µm	≤3.2 µm
Rz	0.63 - 2.5 µm	≤6.3 µm	≤10.0 µm
Rmax	1.0 - 4.0 µm	≤10.0 µm	≤16.0 µm

CHAMFER

The chamfer length as well as the chamfer angle are determined by the rod seal.



DIMENSIONS

Part number	Rod diameter Ød1 f8/h9	Groove diameter ØD1 H9	Bore diameter ØD2 H11	Groove width L1 0/+0.20	Seal height H2
467.3020028	20.00	28.00	25.50	5.00	8.00
467.3022030	22.00	30.00	27.50	5.00	8.00
467.3025033	25.00	33.00	30.50	5.00	8.00
467.3028036	28.00	36.00	33.50	5.00	8.00
467.3032040	32.00	40.00	37.50	5.00	8.00
467.3036044	36.00	44.00	41.50	5.00	8.00
467.3040048	40.00	48.00	45.50	5.00	8.00
467.3045053	45.00	53.00	50.50	5.00	8.00
467.3050058	50.00	58.00	55.50	5.00	8.00
467.3056066	56.00	66.00	63.00	6.30	10.00
467.3063073	63.00	73.00	70.00	6.30	10.00
467.3070080	70.00	80.00	77.00	6.30	10.00
467.3080090	80.00	90.00	87.00	6.30	10.00
467.3090100	90.00	100.00	97.00	6.30	10.00
467.3100115	100.00	115.00	110.00	9.50	14.00
467.3110125	110.00	125.00	120.00	9.50	14.00

The figures highlighted in bold correspond to the dimensions for standard ISO 6195 Type A, with the rod diameters in line with standard ISO 3320. Other intermediate sizes can be provided.