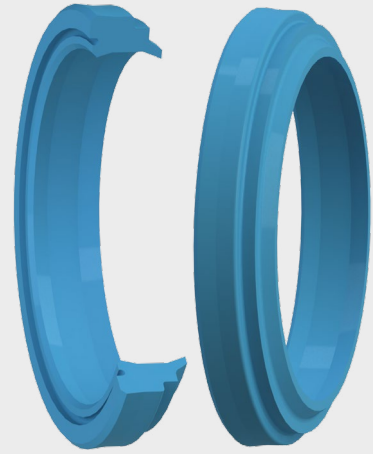


WIPER SEALS BECA 468



DESCRIPTION

The BECA 468 profile is a stepped compact double acting wiper seal composed of two polyurethane wiping lips. It can be assembled in a groove in line with standard ISO 6195 type A.

ADVANTAGES

Excellent abrasion and wear resistance
 Good wiping effect, both internally and externally
 Easy assembly by deformation

APPLICATIONS

Agriculture
 Mobile machinery
 Material handling - Lifting
 Hydraulic cylinders

MATERIALS

PU 93 Shore A - Blue
 PU 96 Shore A - Blue
 High temp. PU 96 Shore A - Beige

Other grades of materials are available.
 Please contact our experts.

TECHNICAL DATA

Temperature	-30°C / +110°C
Speed	1 m/s
Media	Mineral hydraulic oils

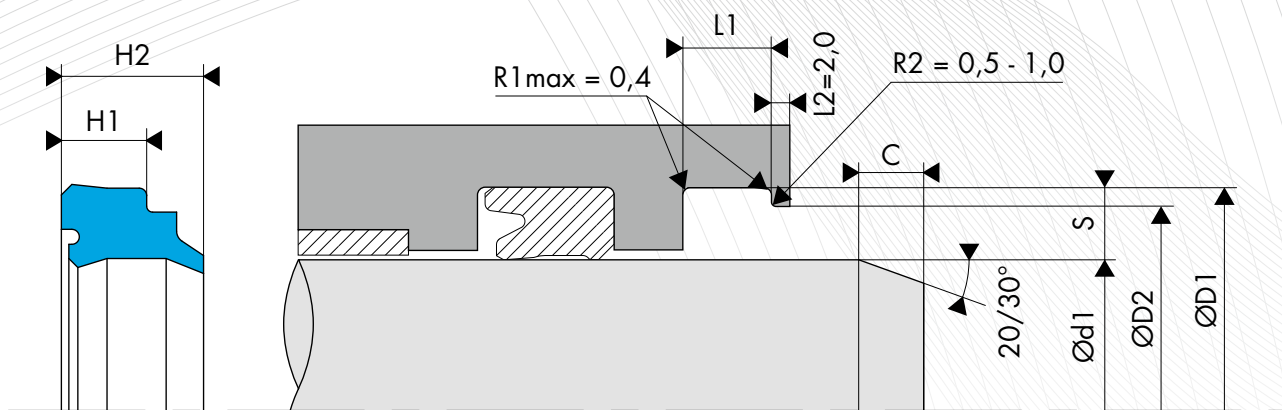
The figures above indicate the maximum values and may not be cumulated. They may be developed, depending on the materials used.

SURFACE ROUGHNESS

Roughness	Dynamic surface area	Static surface area	Groove flanks
Ra	0.1 - 0.4 µm	≤1.6 µm	≤3.2 µm
Rz	0.63 - 2.5 µm	≤6.3 µm	≤10.0 µm
Rmax	1.0 - 4.0 µm	≤10.0 µm	≤16.0 µm

CHAMFER

The chamfer length as well as the chamfer angle are determined by the rod seal.



DIMENSIONS

Part number	Rod diameter Ød1 f8/h9	Groove diameter ØD1 H9	Bore diameter ØD2 H11	Groove width L1 0/-0.20	Seal height H2
468.0200284	20.00	28.00	25.50	4.00	7.00
468.3020028	20.00	28.00	25.50	5.00	8.00
468.3022030	22.00	30.00	27.50	5.00	8.00
468.3025033	25.00	33.00	30.50	5.00	8.00
468.3028036	28.00	36.00	33.50	5.00	8.00
468.3032040	32.00	40.00	37.50	5.00	8.00
468.3036044	36.00	44.00	41.50	5.00	8.00
468.3040048	40.00	48.00	45.50	5.00	8.00
468.3045053	45.00	53.00	50.50	5.00	8.00
468.3050058	50.00	58.00	55.50	5.00	8.00
468.3056066	56.00	66.00	63.00	6.30	10.00
468.3063073	63.00	73.00	70.00	6.30	10.00
468.3070080	70.00	80.00	77.00	6.30	10.00
468.3080090	80.00	90.00	87.00	6.30	10.00
468.3090100	90.00	100.00	97.00	6.30	10.00
468.3100115	100.00	115.00	110.00	9.50	14.00
468.3110125	110.00	125.00	120.00	9.50	14.00

The figures highlighted in bold correspond to the dimensions for standard ISO 6195 Type A, with the rod diameters in line with standard ISO 3320. Other intermediate sizes can be provided.