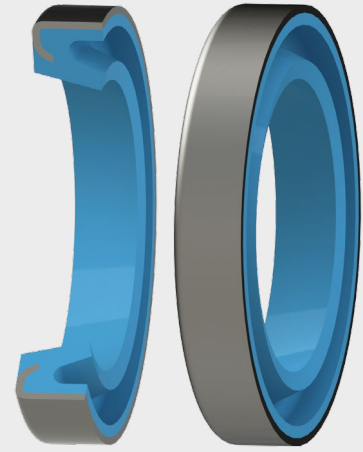


## WIPER SEALS BECA 475



### DESCRIPTION

The BECA 475 profile is a single acting wiper seal with a polyurethane metal insert.

### ADVANTAGES

Tight and precise fitting in the housing  
Very good external wiping effect  
Excellent abrasion and wear resistance

### APPLICATIONS

Agriculture  
Mobile machinery  
Material handling - Lifting  
Hydraulic cylinders

### MATERIALS

#### Profiled seal

PU 94 Shore A - White

#### Metal cage

Steel

Other grades of materials are available.  
Please contact our experts.

### TECHNICAL DATA

|             |                        |
|-------------|------------------------|
| Temperature | -30°C / +110°C         |
| Speed       | 1 m/s                  |
| Media       | Mineral hydraulic oils |

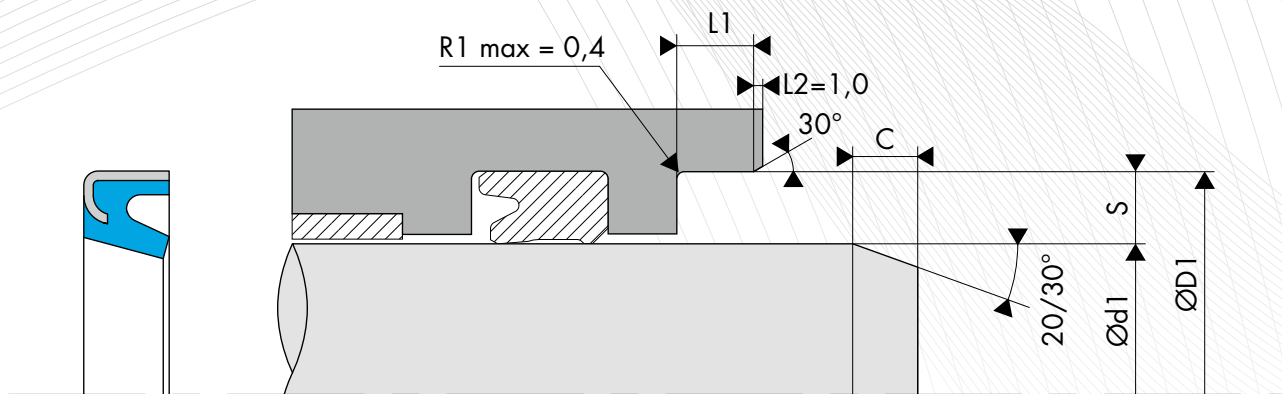
The figures above indicate the maximum values and may not be cumulated. They may be developed, depending on the materials used.

### SURFACE ROUGHNESS

| Roughness | Dynamic surface area | Static surface area | Groove flanks |
|-----------|----------------------|---------------------|---------------|
| Ra        | 0.1 - 0.4 µm         | ≤1.6 µm             | ≤3.2 µm       |
| Rz        | 0.63 - 2.5 µm        | ≤6.3 µm             | ≤10.0 µm      |
| Rmax      | 1.0 - 4.0 µm         | ≤10.0 µm            | ≤16.0 µm      |

### CHAMFER

The chamfer length as well as the chamfer angle are determined by the rod seal.



**DIMENSIONS**

| Part number        | Rod diameter Ød1 h9 | Groove diameter ØD1 H8 | Groove width L1 0/+0.20 |
|--------------------|---------------------|------------------------|-------------------------|
| 475.0300404        | 30.00               | 40.00                  | 4.00                    |
| 475.0300406        | 30.00               | 40.00                  | 6.00                    |
| 475.0350454        | 35.00               | 45.00                  | 4.00                    |
| 475.0350456        | 35.00               | 45.00                  | 6.00                    |
| 475.0350509        | 35.00               | 50.00                  | 9.00                    |
| <b>475.0360467</b> | <b>36.00</b>        | <b>46.00</b>           | <b>7.00</b>             |
| 475.0400504        | 40.00               | 50.00                  | 4.00                    |
| 475.0400505        | 40.00               | 50.00                  | 5.00                    |
| 475.0400508        | 40.00               | 50.00                  | 8.00                    |
| 475.0400526        | 40.00               | 52.00                  | 6.00                    |
| 475.0400559        | 40.00               | 55.00                  | 9.00                    |
| 475.0450553        | 45.00               | 55.00                  | 3.20                    |
| 475.0450554        | 45.00               | 55.00                  | 4.00                    |
| 475.0450555        | 45.00               | 55.00                  | 5.00                    |
| 475.0450607        | 45.00               | 60.00                  | 7.50                    |
| 475.0500603        | 50.00               | 60.00                  | 3.20                    |
| 475.0500605        | 50.00               | 60.00                  | 5.00                    |
| 475.0500634        | 50.00               | 63.00                  | 4.00                    |
| 475.0500655        | 50.00               | 65.00                  | 5.00                    |
| 475.0500657        | 50.00               | 65.00                  | 7.50                    |
| 475.0500659        | 50.00               | 65.00                  | 9.00                    |
| 475.0550653        | 55.00               | 65.00                  | 3.20                    |
| 475.0550655        | 55.00               | 65.00                  | 5.00                    |
| 475.0550705        | 55.00               | 70.00                  | 5.00                    |
| 475.0550707        | 55.00               | 70.00                  | 7.50                    |
| <b>475.0560719</b> | <b>56.00</b>        | <b>71.00</b>           | <b>9.00</b>             |
| 475.0600705        | 60.00               | 70.00                  | 5.00                    |
| 475.0600748        | 60.00               | 74.00                  | 8.00                    |
| 475.0600754        | 60.00               | 75.00                  | 4.20                    |
| 475.0600755        | 60.00               | 75.00                  | 5.00                    |
| 475.0600757        | 60.00               | 75.00                  | 7.50                    |
| 475.0600758        | 60.00               | 75.00                  | 8.00                    |
| 475.0600751        | 60.00               | 75.00                  | 10.00                   |
| <b>475.0630789</b> | <b>63.00</b>        | <b>78.00</b>           | <b>9.00</b>             |
| 475.0650755        | 65.00               | 75.00                  | 5.00                    |

| Part number        | Rod diameter Ød1 h9 | Groove diameter ØD1 H8 | Groove width L1 0/+0.20 |
|--------------------|---------------------|------------------------|-------------------------|
| 475.0650798        | 65.00               | 79.00                  | 8.00                    |
| 475.0650805        | 65.00               | 80.00                  | 5.00                    |
| <b>475.0700805</b> | <b>70.00</b>        | <b>80.00</b>           | <b>5.00</b>             |
| <b>475.0700807</b> | <b>70.00</b>        | <b>80.00</b>           | <b>7.00</b>             |
| <b>475.0700848</b> | <b>70.00</b>        | <b>84.00</b>           | <b>8.00</b>             |
| <b>475.0700855</b> | <b>70.00</b>        | <b>85.00</b>           | <b>5.00</b>             |
| <b>475.0700857</b> | <b>70.00</b>        | <b>85.00</b>           | <b>7.00</b>             |
| <b>475.0700858</b> | <b>70.00</b>        | <b>85.00</b>           | <b>8.00</b>             |
| <b>475.0700851</b> | <b>70.00</b>        | <b>85.00</b>           | <b>10.00</b>            |
| 475.0710865        | 71.00               | 86.00                  | 5.00                    |
| 475.0750855        | 75.00               | 85.00                  | 5.00                    |
| 475.0750898        | 75.00               | 89.00                  | 8.00                    |
| 475.0750908        | 75.00               | 90.00                  | 8.00                    |
| <b>475.0800903</b> | <b>80.00</b>        | <b>90.00</b>           | <b>3.20</b>             |
| <b>475.0800948</b> | <b>80.00</b>        | <b>94.00</b>           | <b>8.00</b>             |
| <b>475.0800954</b> | <b>80.00</b>        | <b>95.00</b>           | <b>4.00</b>             |
| <b>475.0800955</b> | <b>80.00</b>        | <b>95.00</b>           | <b>5.00</b>             |
| <b>475.0800958</b> | <b>80.00</b>        | <b>95.00</b>           | <b>8.00</b>             |
| 475.0850954        | 85.00               | 95.00                  | 4.50                    |
| 475.0850998        | 85.00               | 99.00                  | 8.00                    |
| <b>475.0901007</b> | <b>90.00</b>        | <b>100.00</b>          | <b>7.00</b>             |
| <b>475.0901048</b> | <b>90.00</b>        | <b>104.00</b>          | <b>8.00</b>             |
| <b>475.0901056</b> | <b>90.00</b>        | <b>105.00</b>          | <b>6.00</b>             |
| <b>475.0901058</b> | <b>90.00</b>        | <b>105.00</b>          | <b>8.00</b>             |
| 475.0951056        | 95.00               | 105.00                 | 6.00                    |
| 475.0951098        | 95.00               | 109.00                 | 8.00                    |
| 475.0951106        | 95.00               | 110.00                 | 6.50                    |
| <b>475.1001148</b> | <b>100.00</b>       | <b>114.00</b>          | <b>8.00</b>             |
| <b>475.1001157</b> | <b>100.00</b>       | <b>115.00</b>          | <b>7.00</b>             |
| <b>475.1001158</b> | <b>100.00</b>       | <b>115.00</b>          | <b>8.00</b>             |
| <b>475.1101258</b> | <b>110.00</b>       | <b>125.00</b>          | <b>8.00</b>             |
| <b>475.1101304</b> | <b>110.00</b>       | <b>130.00</b>          | <b>4.50</b>             |
| 475.1201358        | 120.00              | 135.00                 | 8.00                    |
| <b>475.1251408</b> | <b>125.00</b>       | <b>140.00</b>          | <b>8.00</b>             |

The figures highlighted in bold correspond to the rod diameters that are recommended by standard ISO 3320. Other intermediate sizes can be provided.