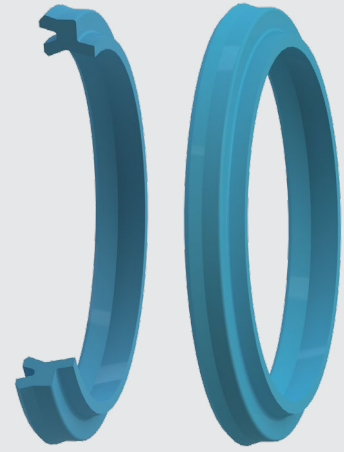


WIPER SEALS BECA 455



DESCRIPTION

The BECA 455 profile is a U-ring type double acting wiper seal composed of two polyurethane wiping lips.

ADVANTAGES

Excellent abrasion and wear resistance
 Good wiping effect, both internally and externally
 Easy assembly by deformation

APPLICATIONS

Shock absorbers
 Standard cylinders

MATERIALS

PU 93 Shore A - Blue
 PU 96 Shore A - Blue
 High temp. PU 96 Shore A - Beige

Other grades of materials are available.
 Please contact our experts.

TECHNICAL DATA

Temperature	-30°C / +110°C
Speed	1 m/s
Media	Lubricated air Oil-free air Non-aggressive gases

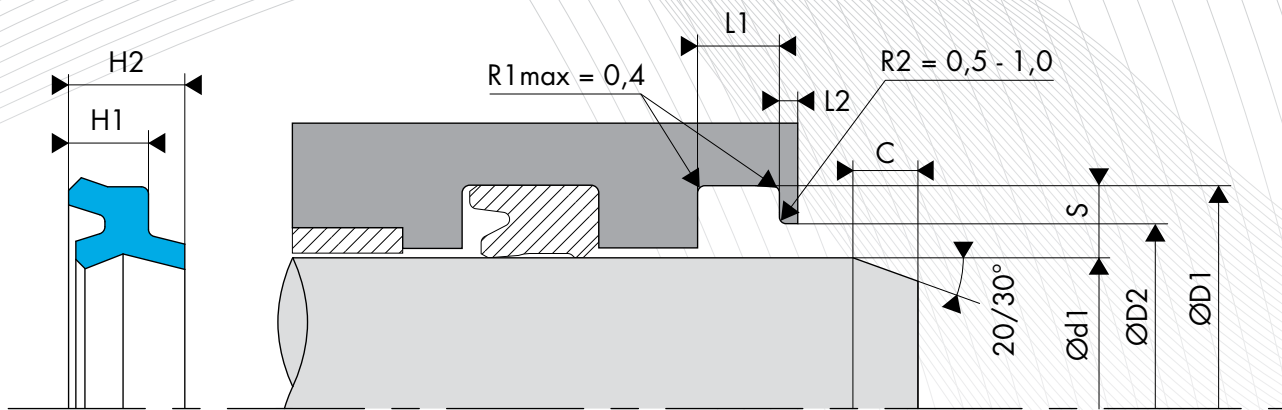
The figures above indicate the maximum values and may not be cumulated. They may be developed, depending on the materials used.

SURFACE ROUGHNESS

Roughness	Dynamic surface area	Static surface area	Groove flanks
Ra	0.1 - 0.4 µm	≤1.6 µm	≤3.2 µm
Rz	0.63 - 2.5 µm	≤6.3 µm	≤10.0 µm
Rmax	1.0 - 4.0 µm	≤10.0 µm	≤16.0 µm

CHAMFER

The chamfer length as well as the chamfer angle are determined by the rod seal.



DIMENSIONS

Part number	Rod diameter Ød1 f8/h9	Groove diameter ØD1 H9	Bore diameter ØD2 H11	Groove width L1 0/+0.20	Seal height H2	Step width L2 min
455.0120183	12.00	18.00	14.50	3.60	4.80	2.00
455.0140224	14.00	22.00	18.50	4.50	6.00	2.00
455.0180243	18.00	24.00	20.50	3.60	4.80	2.00
455.0180264	18.00	26.00	22.50	4.50	6.00	2.00
455.0190264	19.00	26.00	22.50	4.50	6.00	2.00
455.0200284	20.00	28.00	24.50	4.50	6.00	2.00
455.0200285	20.00	28.00	24.50	5.00	6.80	2.00
455.0200306	20.00	30.00	26.50	6.00	7.50	2.00
455.0220283	22.00	28.00	24.50	3.60	4.80	2.00
455.0250313	25.00	31.00	27.50	3.60	4.80	2.00
455.0250334	25.00	33.00	29.50	4.50	6.00	2.00
455.0280364	28.00	36.00	31.00	4.50	6.00	2.00
455.0300384	30.00	38.00	33.00	4.50	5.80	2.00
455.0300385	30.00	38.00	33.00	5.00	6.50	2.00
455.0320404	32.00	40.00	35.00	4.50	5.80	2.00
455.0320405	32.00	40.00	35.00	5.00	6.50	2.00
455.0350435	35.00	43.00	38.00	5.00	6.50	2.00
455.0360444	36.00	44.00	39.00	4.50	5.80	2.00
455.0360445	36.00	44.00	39.00	5.00	6.80	2.00
455.0400484	40.00	48.00	43.00	4.50	5.80	2.00
455.0400485	40.00	48.00	43.00	5.00	6.50	2.00
455.0400505	40.00	50.00	45.00	5.00	6.50	2.00
455.0420514	42.00	51.00	46.00	4.60	6.00	2.00
455.0450534	45.00	53.00	48.00	4.50	5.80	2.00
455.0450535	45.00	53.00	48.00	5.00	6.50	2.00
455.0450555	45.00	55.00	50.00	5.00	6.80	2.00
455.0500585	50.00	58.00	53.00	5.00	6.50	2.00
455.0500605	50.00	60.00	53.00	5.00	6.80	2.00
455.0530615	53.00	61.00	54.00	5.00	6.50	2.00
455.0550635	55.00	63.00	56.00	5.00	6.50	2.00
455.0550655	55.00	65.00	58.00	5.00	6.80	2.00
455.0560665	56.00	66.00	59.00	5.30	6.80	2.00
455.0600685	60.00	68.00	61.00	5.00	6.50	2.00
455.0600705	60.00	70.00	63.00	5.00	6.80	2.00
455.0630715	63.00	71.00	64.00	5.00	6.50	2.00
455.0650735	65.00	73.00	66.00	5.00	6.50	2.00
455.0650755	65.00	75.00	68.00	5.00	6.80	2.00
455.0700805	70.00	80.00	73.00	5.00	6.80	2.00
455.0700806	70.00	80.00	73.00	6.00	8.00	2.00
455.0750856	75.00	85.00	78.00	6.00	8.00	2.00
455.0750877	75.00	87.00	80.00	7.00	9.00	2.00
455.0800905	80.00	90.00	83.00	5.30	6.80	2.00
455.0800906	80.00	90.00	83.00	6.00	8.00	2.00
455.0800927	80.00	92.00	85.00	7.00	9.00	2.00
455.0850956	85.00	95.00	88.00	6.00	8.00	2.00
455.0850977	85.00	97.00	90.00	7.00	10.00	2.00

Part number	Rod diameter Ød1 f8/h9	Groove diameter ØD1 H9	Bore diameter ØD2 H11	Groove width L1 0/+0.20	Seal height H2	Step width L2 min
455.0901005	90.00	100.00	93.00	5.30	6.80	2.00
455.0901006	90.00	100.00	93.00	6.00	8.00	2.00
455.0901027	90.00	102.00	95.00	7.00	9.00	2.00
455.0951077	95.00	107.00	100.00	7.00	9.00	2.00
455.1001106	100.00	110.00	103.00	6.00	8.00	2.00
455.1101257	110.00	125.00	114.00	7.50	9.50	2.00
455.1151277	115.00	127.00	116.00	7.00	9.00	2.00
455.1251387	125.00	138.00	127.00	7.00	9.50	2.00
455.1351477	135.00	147.00	136.00	7.00	9.00	2.00
455.1401537	140.00	153.00	142.00	7.00	9.50	2.00
455.1401557	140.00	155.00	144.00	7.50	9.50	2.00
455.1451587	145.00	158.00	147.00	7.00	9.50	2.00
455.1551677	155.00	167.00	156.00	7.00	9.50	2.00
455.1601727	160.00	172.00	161.00	7.00	9.50	2.00
455.1601747	160.00	174.00	163.00	7.00	9.50	2.00
455.1651797	165.00	179.00	168.00	7.00	9.50	2.00
455.1801947	180.00	194.00	183.00	7.00	9.50	2.00
455.1851977	185.00	197.00	186.00	7.00	9.50	2.00
455.2152277	215.00	227.00	216.00	7.00	9.50	2.00