

WIPER SEALS BECA 461



DESCRIPTION

The BECA 461 profile is a single acting wiper seal composed of a polyurethane wiping lip.

ADVANTAGES

Good external wiping effect
Excellent abrasion and wear resistance
Easy assembly by deformation

APPLICATIONS

Shock absorbers
Standard cylinders

MATERIALS

PU 93 Shore A - Blue
PU 96 Shore A - Blue
High temp. PU 96 Shore A - Beige

Other grades of materials are available.
Please contact our experts.

TECHNICAL DATA

| | |
|--------------------|--|
| Temperature | -30°C / +110°C |
| Speed | 1 m/s |
| Media | Lubricated air Oil-free air Non-aggressive gases |

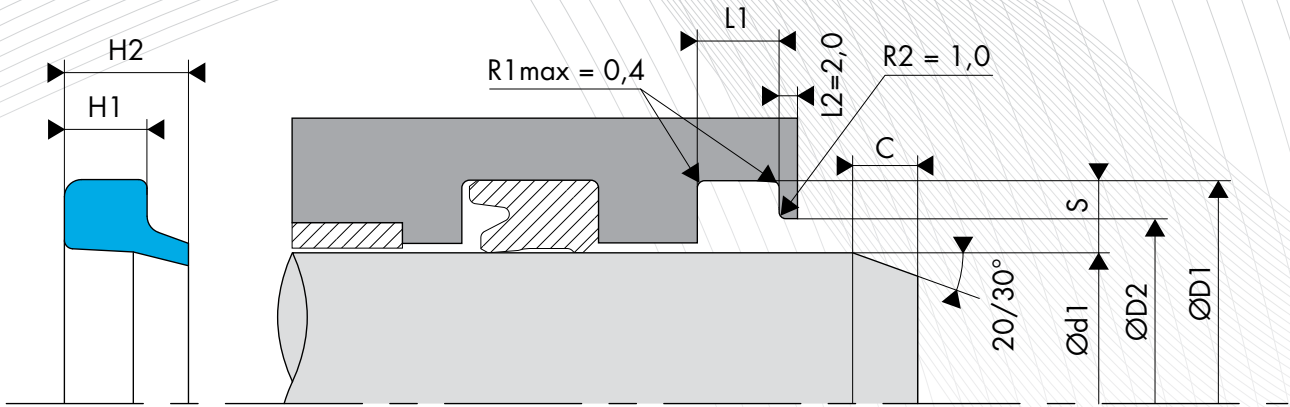
The figures above indicate the maximum values and may not be cumulated. They may be developed, depending on the materials used.

SURFACE ROUGHNESS

| Roughness | Dynamic surface area | Static surface area | Groove flanks |
|-----------|----------------------|---------------------|---------------|
| Ra | 0.1 - 0.4 µm | ≤1.6 µm | ≤3.2 µm |
| Rz | 0.63 - 2.5 µm | ≤6.3 µm | ≤10.0 µm |
| Rmax | 1.0 - 4.0 µm | ≤10.0 µm | ≤16.0 µm |

CHAMFER

The chamfer length as well as the chamfer angle are determined by the rod seal.



DIMENSIONS

| Part number | Rod diameter Ød1 f8/h9 | Groove diameter ØD1 H9 | Bore diameter ØD2 H11 | Groove width L1 0/+0.20 |
|-------------|---------------------------|---------------------------|--------------------------|----------------------------|
| 461.0050122 | 5.00 | 12.00 | 8.00 | 2.80 |
| 461.0060123 | 6.00 | 12.00 | 9.00 | 3.00 |
| 461.0080143 | 8.00 | 14.60 | 11.00 | 3.80 |
| 461.0100151 | 10.00 | 15.00 | 13.00 | 1.00 |
| 461.0100163 | 10.00 | 16.60 | 13.00 | 3.80 |
| 461.0120183 | 12.00 | 18.60 | 15.00 | 3.80 |
| 461.0130193 | 13.00 | 19.60 | 16.00 | 3.80 |
| 461.0140203 | 14.00 | 20.60 | 17.00 | 3.80 |
| 461.0150213 | 15.00 | 21.60 | 18.00 | 3.80 |
| 461.0160223 | 16.00 | 22.60 | 19.00 | 3.80 |
| 461.0180243 | 18.00 | 24.60 | 21.00 | 3.80 |
| 461.0200285 | 20.00 | 28.60 | 23.00 | 5.30 |
| 461.0220305 | 22.00 | 30.60 | 25.00 | 5.30 |
| 461.0240325 | 24.00 | 32.60 | 27.00 | 5.30 |
| 461.0250335 | 25.00 | 33.60 | 28.00 | 5.30 |
| 461.0260345 | 26.00 | 34.60 | 29.00 | 5.30 |
| 461.0270355 | 27.00 | 35.60 | 30.00 | 5.30 |
| 461.0280365 | 28.00 | 36.60 | 31.00 | 5.30 |
| 461.0300380 | 30.00 | 38.00 | 33.00 | 5.30 |
| 461.0300385 | 30.00 | 38.60 | 33.00 | 5.30 |
| 461.0320405 | 32.00 | 40.60 | 35.00 | 5.30 |
| 461.0330415 | 33.00 | 41.60 | 38.00 | 5.30 |
| 461.0350435 | 35.00 | 43.60 | 38.00 | 5.30 |
| 461.0360445 | 36.00 | 44.60 | 39.00 | 5.30 |
| 461.0380465 | 38.00 | 46.60 | 41.00 | 5.30 |
| 461.0400485 | 40.00 | 48.60 | 43.00 | 5.30 |
| 461.0420505 | 42.00 | 50.60 | 45.00 | 5.30 |
| 461.0450535 | 45.00 | 53.60 | 48.00 | 5.30 |
| 461.0460545 | 46.00 | 54.60 | 49.00 | 5.30 |
| 461.0480565 | 48.00 | 56.60 | 51.00 | 5.30 |
| 461.0490575 | 49.00 | 57.60 | 52.00 | 5.30 |
| 461.0500580 | 50.00 | 58.00 | 53.00 | 5.30 |
| 461.0500585 | 50.00 | 58.60 | 53.00 | 5.30 |
| 461.0530615 | 53.00 | 61.60 | 56.00 | 5.30 |
| 461.0550635 | 55.00 | 63.60 | 58.00 | 5.30 |
| 461.0550655 | 55.00 | 65.60 | 58.00 | 5.30 |
| 461.0560645 | 56.00 | 64.60 | 59.00 | 5.30 |
| 461.0600680 | 60.00 | 68.00 | 63.00 | 5.30 |
| 461.0600685 | 60.00 | 68.60 | 63.00 | 5.30 |
| 461.0600705 | 60.00 | 70.00 | 63.00 | 5.00 |
| 461.0610695 | 61.00 | 69.60 | 64.00 | 5.30 |
| 461.0630715 | 63.00 | 71.60 | 66.00 | 5.30 |
| 461.0650735 | 65.00 | 73.60 | 68.00 | 5.30 |
| 461.0700785 | 70.00 | 78.60 | 73.00 | 5.30 |
| 461.0700805 | 70.00 | 80.00 | 73.00 | 5.00 |

| Part number | Rod diameter Ød1 f8/h9 | Groove diameter ØD1 H9 | Bore diameter ØD2 H11 | Groove width L1 0/+0.20 |
|-------------|---------------------------|---------------------------|--------------------------|----------------------------|
| 461.0700827 | 70.00 | 82.60 | 76.00 | 7.10 |
| 461.0720805 | 72.00 | 80.60 | 75.00 | 5.30 |
| 461.0730815 | 73.00 | 81.60 | 76.00 | 5.30 |
| 461.0750835 | 75.00 | 83.60 | 78.00 | 5.30 |
| 461.0750877 | 75.00 | 87.20 | 81.00 | 7.10 |
| 461.0760845 | 76.00 | 84.60 | 79.00 | 5.30 |
| 461.0800885 | 80.00 | 88.60 | 83.00 | 5.30 |
| 461.0800907 | 80.00 | 90.20 | 83.00 | 7.10 |
| 461.0800927 | 80.00 | 92.60 | 83.00 | 7.10 |
| 461.0850935 | 85.00 | 93.60 | 88.00 | 5.30 |
| 461.0850977 | 85.00 | 97.20 | 91.00 | 7.10 |
| 461.0901027 | 90.00 | 102.20 | 96.00 | 7.10 |
| 461.0910995 | 91.00 | 99.60 | 94.00 | 5.30 |
| 461.0951077 | 95.00 | 107.20 | 101.00 | 7.10 |
| 461.1001085 | 100.00 | 108.60 | 103.00 | 5.30 |
| 461.1001127 | 100.00 | 112.20 | 106.00 | 7.10 |
| 461.1051135 | 105.00 | 113.60 | 108.00 | 5.30 |
| 461.1051177 | 105.00 | 117.20 | 111.00 | 7.10 |
| 461.1071155 | 107.00 | 115.60 | 110.00 | 5.30 |
| 461.1101185 | 110.00 | 118.60 | 113.00 | 5.30 |
| 461.1101227 | 110.00 | 122.20 | 116.00 | 7.10 |
| 461.1151277 | 115.00 | 127.20 | 121.00 | 7.10 |
| 461.1201327 | 120.00 | 132.20 | 126.00 | 7.10 |
| 461.1251377 | 125.00 | 137.20 | 131.00 | 7.10 |
| 461.1261345 | 126.00 | 134.60 | 129.00 | 5.30 |
| 461.1301427 | 130.00 | 142.20 | 136.00 | 7.10 |
| 461.1351477 | 135.00 | 147.20 | 141.00 | 7.10 |
| 461.1401527 | 140.00 | 152.20 | 146.00 | 7.10 |
| 461.1401559 | 140.00 | 155.00 | 146.50 | 9.00 |
| 461.1451577 | 145.00 | 157.20 | 151.00 | 7.10 |
| 461.1501627 | 150.00 | 162.20 | 156.00 | 7.10 |
| 461.1601727 | 160.00 | 172.20 | 166.00 | 7.10 |
| 461.1601751 | 160.00 | 175.20 | 168.00 | 10.10 |
| 461.1651701 | 165.00 | 170.20 | 173.00 | 10.10 |
| 461.1701851 | 170.00 | 185.20 | 178.00 | 10.10 |
| 461.1751901 | 175.00 | 190.20 | 183.00 | 10.10 |
| 461.1801951 | 180.00 | 195.20 | 188.00 | 10.10 |
| 461.1802001 | 180.00 | 200.20 | 183.00 | 10.20 |
| 461.1902051 | 190.00 | 205.20 | 198.00 | 10.10 |
| 461.2002151 | 200.00 | 215.20 | 208.00 | 10.10 |
| 461.2102251 | 210.00 | 225.20 | 218.00 | 10.10 |
| 461.2202351 | 220.00 | 235.20 | 228.00 | 10.10 |
| 461.2302451 | 230.00 | 245.20 | 238.00 | 10.10 |
| 461.2402551 | 240.00 | 255.20 | 248.00 | 10.10 |
| 461.2502651 | 250.00 | 265.20 | 258.00 | 10.10 |