

## STANDARD SHAFT SEALS

# SC



### DESCRIPTION

The SC profile is a shaft seal composed of a single metal cage with a rubber coating and a primary lip with integrated spring.

### ADVANTAGES

- Very good static sealing
- Very good thermal expansion compensation
- Greater roughness is allowed in the housing
- Reduced risk of corrosion
- Sealing for low and high viscosity fluids
- Modern primary sealing lip with low radial forces

### APPLICATIONS

- Shaft sealing
- Engines
- Pumps
- Transmissions

### MATERIALS

#### Rubber

- ACM 70 - 75 Shore A
- EPDM 70 - 75 Shore A
- FKM 70 - 75 Shore A
- HNBR 70 - 75 Shore A
- NBR 70 - 75 Shore A

#### Metal cage

Steel - AISI 1010

#### Spring

- Steel - AISI 1070 - 1090
- Stainless steel - AISI 316

### SEAL DESIGN

#### Tolerance for the outside diameter of the seal (ØD)

Bore diameter ØD1 (mm)	Apparent metal cage	Rubber coating	Coating with grooves
ØD1 ≤ 50.0	+0.10 / +0.20	+0.15 / +0.30	+0.20 / +0.40
50.0 < ØD1 ≤ 80.0	+0.13 / +0.23	+0.20 / +0.35	+0.25 / +0.45
80.0 < ØD1 ≤ 120.0	+0.15 / +0.25	+0.20 / +0.35	+0.25 / +0.45
120.0 < ØD1 ≤ 180.0	+0.18 / +0.28	+0.25 / +0.45	+0.30 / +0.55
180.0 < ØD1 ≤ 300.0	+0.20 / +0.30	+0.25 / +0.45	+0.30 / +0.55
300.0 < ØD1 ≤ 500.0	+0.23 / +0.35	+0.30 / +0.55	+0.35 / +0.65
500.0 < ØD1 ≤ 630.0	+0.23 / +0.35	+0.35 / +0.65	+0.40 / +0.75

#### Roundness tolerance

Bore diameter ØD1 (mm)	Apparent metal cage	Rubber coating
ØD1 ≤ 50.0	0.18	0.25
50.0 < ØD1 ≤ 80.0	0.25	0.35
80.0 < ØD1 ≤ 120.0	0.30	0.50
120.0 < ØD1 ≤ 180.0	0.40	0.65
180.0 < ØD1 ≤ 300.0	0.25% of the outside diameter	0.80
300.0 < ØD1 ≤ 500.0	0.25% of the outside diameter	1.00
500.0 < ØD1 ≤ 630.0	-	-

#### Tolerance for the inside diameter of the seal (Ød)

Free and without constraint, the inside diameter of the sealing lip is always smaller than the diameter of the shaft. The pre-tightening or interference denotes the difference between these two values. Depending on the shaft diameter, the diameter of the sealing lip is generally considered to be less, between 0.8 and 3.5 mm.

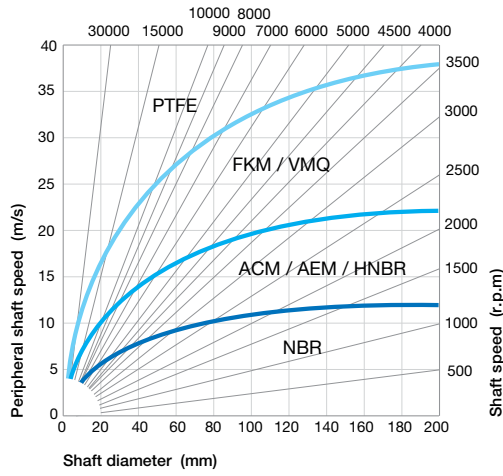
#### Pumping leads

Clockwise	Anti-clockwise	Bi-directional
R	L	H0

Other types of pumping leads can be created according to your specifications. Please contact our experts.

**TECHNICAL DATA**

**Speed**



The shaft seals with an additional protective lip are limited to a speed of 8 m/sec.

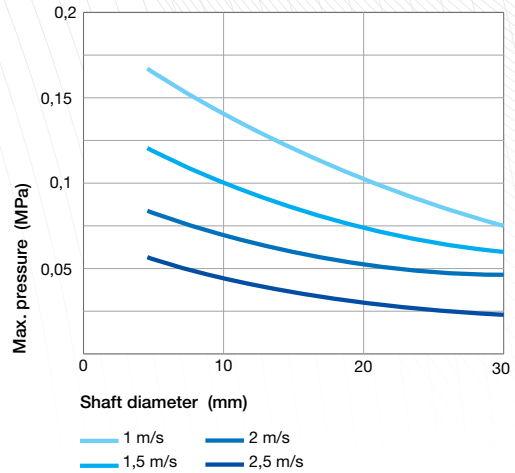
Linear speed calculation:

$$s \text{ (m/s)} = \frac{[\text{shaft } \varnothing \text{ (mm)} \times \text{speed (rpm)} \times \pi]}{60,000}$$

**Pressure**

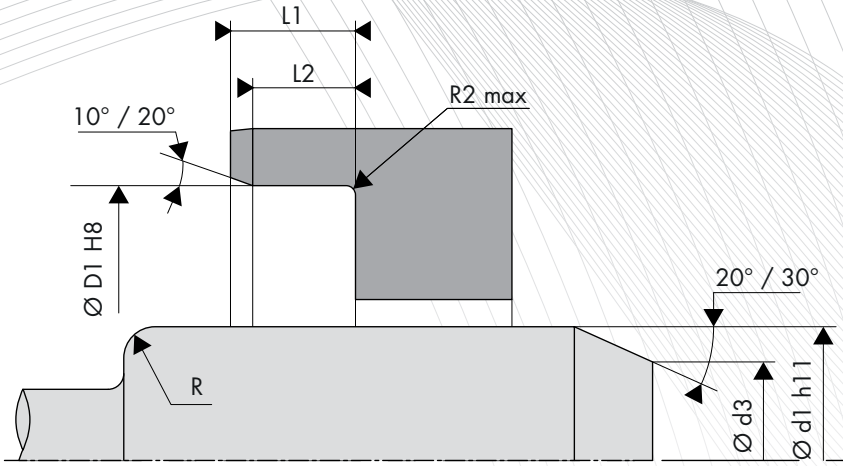
The standard shaft seals are generally used in unpressurised environments, or for pressures between 0.02 and 0.05 MPa maximum.

Higher pressures are acceptable, following testing, for standard NBR or FKM shaft seals used on a shaft of less than 30 mm.



**Temperature / Media**

Media		Maximum temperature depending on the materials						
		ACM	AEM	EPDM	FKM	HNBR	NBR	VMQ
Mineral oils	Oils for motors	+130°C	+130°C	-	+170°C	+130°C	+100°C	+150°C
	Oils for gearboxes	+120°C	+130°C	-	+150°C	+110°C	+80°C	+130°C
	Oils for hypoid gears	+120°C	+130°C	-	+150°C	+110°C	+80°C	-
	ATF oils	+120°C	+130°C	-	+170°C	+130°C	+100°C	-
	Hydraulic oils	+120°C	+130°C	-	+150°C	+130°C	+90°C	-
	Greases	-	+130°C	-	-	+100°C	+90°C	-
Fire-resistant fluids	HFA group - Emulsion with more than 80% water	-	-	-	-	+70°C	+70°C	+60°C
	HFB group - Opposite solution (water in oil)	-	-	-	-	+70°C	+70°C	+60°C
	HFC group - Polymer aqueous solution	-	-	+60°C	-	+70°C	+70°C	-
	HFD group - Water-free synthetic fluids	-	-	-	+150°C	-	-	-
Other fluids	EL + L heating oil	-	-	-	-	+100°C	+90°C	-
	Air	+150°C	+150°C	+150°C	+200°C	+130°C	+100°C	+200°C
	Water	-	-	+150°C	+100°C	+100°C	+90°C	-
	Water for washing	-	-	+130°C	+100°C	+100°C	+90°C	-
Temperature range	Min.	-25°C	-40°C	-45°C	-20°C	-30°C	-30°C	-60°C
	Max.	+150°C	+150°C	+150°C	+200°C	+150°C	+100°C	+200°C



## SHAFT DESIGN

### Shaft hardness

Rotation speed	Hardness in HRC
$s \leq 4.0 \text{ m/sec}$	45 HRC
$4.0 < s \leq 10.0 \text{ m/s}$	55 HRC
$s > 10.0 \text{ m/sec}$	60 HRC

### Surface roughness

<b>Ra *</b>	0.2 to 0.8 $\mu\text{m}$
<b>Rz</b>	1.0 to 4.0 $\mu\text{m}$
<b>Rmax</b>	$\leq 6.3 \mu\text{m}$

\*Ra = 0.1  $\mu\text{m}$  for demanding applications

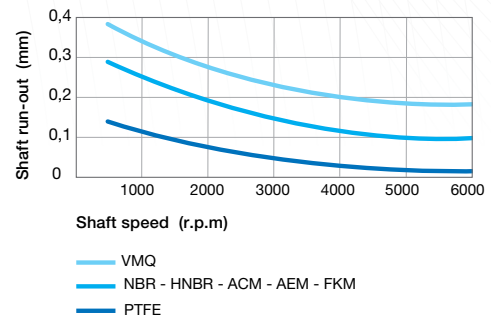
### Shaft tolerance

Shaft diameter $\text{Ø}d1$ (mm)	Tolerance h11 (mm)
$\text{Ø}d1 \leq 3.0$	-0.060 / 0
$3.0 < \text{Ø}d1 \leq 6.0$	-0.075 / 0
$6.0 < \text{Ø}d1 \leq 10.0$	-0.090 / 0
$10.0 < \text{Ø}d1 \leq 18.0$	-0.110 / 0
$18.0 < \text{Ø}d1 \leq 30.0$	-0.130 / 0
$30.0 < \text{Ø}d1 \leq 50.0$	-0.160 / 0
$50.0 < \text{Ø}d1 \leq 80.0$	-0.190 / 0
$80.0 < \text{Ø}d1 \leq 120.0$	-0.220 / 0
$120.0 < \text{Ø}d1 \leq 180.0$	-0.250 / 0
$180.0 < \text{Ø}d1 \leq 250.0$	-0.290 / 0
$250.0 < \text{Ø}d1 \leq 315.0$	-0.320 / 0
$315.0 < \text{Ø}d1 \leq 400.0$	-0.360 / 0
$400.0 < \text{Ø}d1 \leq 500.0$	-0.400 / 0

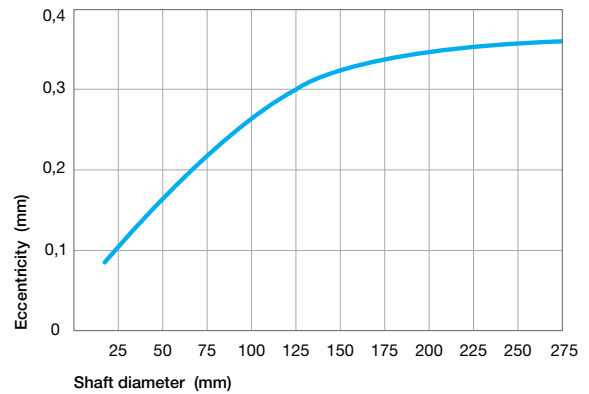
### Chamfer and radius

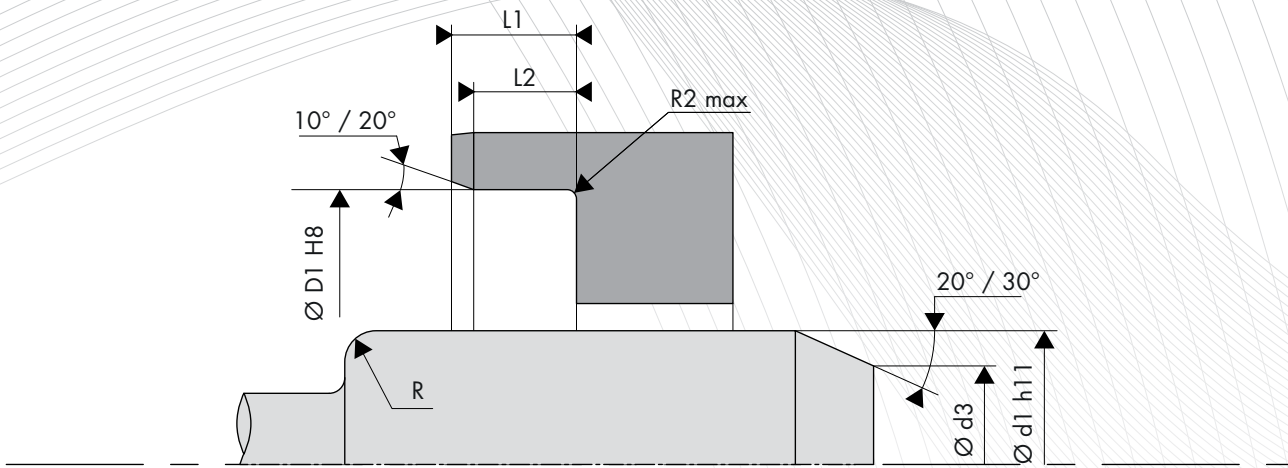
Shaft diameter $\text{Ø}d1$ (mm)	Chamfer diameter $\text{Ø}d3$ (mm)	Radius R (mm)
$\text{Ø}d1 \leq 10.0$	$\text{Ø}d1 - 1.50$	2.00
$10.0 < \text{Ø}d1 \leq 20.0$	$\text{Ø}d1 - 2.00$	2.00
$20.0 < \text{Ø}d1 \leq 30.0$	$\text{Ø}d1 - 2.50$	3.00
$30.0 < \text{Ø}d1 \leq 40.0$	$\text{Ø}d1 - 3.00$	3.00
$40.0 < \text{Ø}d1 \leq 50.0$	$\text{Ø}d1 - 3.50$	4.00
$50.0 < \text{Ø}d1 \leq 70.0$	$\text{Ø}d1 - 4.00$	4.00
$70.0 < \text{Ø}d1 \leq 95.0$	$\text{Ø}d1 - 4.50$	5.00
$95.0 < \text{Ø}d1 \leq 130.0$	$\text{Ø}d1 - 5.50$	6.00
$130.0 < \text{Ø}d1 \leq 240.0$	$\text{Ø}d1 - 7.00$	8.00
$240.0 < \text{Ø}d1 \leq 500.0$	$\text{Ø}d1 - 11.00$	12.00

### Shaft run out



### Eccentricity





## HOUSING DESIGN

### Surface roughness

Ra	1.6 to 6.3 $\mu\text{m}$
Rz	10.0 to 25.0 $\mu\text{m}$
Rmax	$\leq 25.0\ \mu\text{m}$

### Housing tolerance

Bore diameter $\varnothing D1$ (mm)	Tolerance H8 (mm)
$3.0 < \varnothing D1 \leq 6.0$	0 / +0.018
$6.0 < \varnothing D1 \leq 10.0$	0 / +0.022
$10.0 < \varnothing D1 \leq 18.0$	0 / +0.027
$18.0 < \varnothing D1 \leq 30.0$	0 / +0.033
$30.0 < \varnothing D1 \leq 50.0$	0 / +0.039
$50.0 < \varnothing D1 \leq 80.0$	0 / +0.046
$80.0 < \varnothing D1 \leq 120.0$	0 / +0.054
$120.0 < \varnothing D1 \leq 180.0$	0 / +0.063
$180.0 < \varnothing D1 \leq 250.0$	0 / +0.072
$250.0 < \varnothing D1 \leq 315.0$	0 / +0.081
$315.0 < \varnothing D1 \leq 400.0$	0 / +0.089
$400.0 < \varnothing D1 \leq 500.0$	0 / +0.097
$500.0 < \varnothing D1 \leq 630.0$	0 / +0.110

### Housing radius and width

Height H1 (mm)	Width		Radius R2 max (mm)
	L2min H1 x 0.85	L1min (H1 x +0.3)	
7.00	5.95	7.30	0.50
8.00	6.80	8.30	
10.00	8.50	10.30	
12.00	10.30	12.30	0.70
15.00	12.75	15.30	
20.00	17.00	20.30	

## DIMENSIONS

Part number	Shaft diameter Ød1 h11	Bore diameter ØD1 H8	Seal height H1
SC 4 x 16 x 6	4.00	16.00	6.00
SC 5 x 15 x 6	5.00	15.00	6.00
SC 6 x 12 x 4.5	6.00	12.00	4.50
SC 6 x 12 x 5.5	6.00	12.00	5.50
SC 6 x 15 x 4	6.00	15.00	4.00
SC 6 x 15 x 7	6.00	15.00	7.00
SC 6 x 16 x 5	6.00	16.00	5.00
SC 6 x 16 x 7	6.00	16.00	7.00
SC 6 x 19 x 6	6.00	19.00	6.00
SC 6 x 22 x 7	6.00	22.00	7.00
SC 6 x 25 x 6	6.00	25.00	6.00
SC 6 x 25 x 8	6.00	25.00	8.00
SC 7 x 15 x 5	7.00	15.00	5.00
SC 7 x 16 x 7	7.00	16.00	7.00
SC 7 x 18 x 4.5	7.00	18.00	4.50
SC 7 x 18 x 6.5	7.00	18.00	6.50
SC 7 x 22 x 7	7.00	22.00	7.00
SC 7 x 31 x 5	7.00	31.00	5.00
SC 8 x 14 x 4	8.00	14.00	4.00
SC 8 x 14 x 5	8.00	14.00	5.00
SC 8 x 16 x 4	8.00	16.00	4.00
SC 8 x 16 x 5	8.00	16.00	5.00
SC 8 x 16 x 6	8.00	16.00	6.00
SC 8 x 16 x 7	8.00	16.00	7.00
SC 8 x 18 x 5	8.00	18.00	5.00
SC 8 x 19 x 4	8.00	19.00	4.00
SC 8 x 20 x 5	8.00	20.00	5.00
SC 8 x 21 x 6	8.00	21.00	6.00
SC 8 x 22 x 6	8.00	22.00	6.00
SC 8 x 22 x 6.5	8.00	22.00	6.50
SC 8 x 22 x 7	8.00	22.00	7.00
SC 8 x 22 x 8	8.00	22.00	8.00
SC 8 x 24 x 4.5	8.00	24.00	4.50
SC 8 x 24 x 7	8.00	24.00	7.00
SC 8 x 25 x 6	8.00	25.00	6.00
SC 8 x 25 x 7	8.00	25.00	7.00
SC 8 x 26 x 6	8.00	26.00	6.00
SC 8 x 28 x 5	8.00	28.00	5.00
SC 9 x 16 x 4	9.00	16.00	4.00
SC 9 x 18 x 7	9.00	18.00	7.00
SC 9 x 19 x 4	9.00	19.00	4.00
SC 9 x 19 x 5	9.00	19.00	5.00
SC 9 x 21 x 4.5	9.00	21.00	4.50
SC 9 x 22 x 7	9.00	22.00	7.00
SC 9 x 26 x 7	9.00	26.00	7.00
SC 10 x 16 x 4	10.00	16.00	4.00
SC 10 x 16 x 5	10.00	16.00	5.00
SC 10 x 17 x 6	10.00	17.00	6.00
SC 10 x 18 x 4	10.00	18.00	4.00
SC 10 x 18 x 5	10.00	18.00	5.00
SC 10 x 18 x 6	10.00	18.00	6.00
SC 10 x 19 x 4	10.00	19.00	4.00
SC 10 x 19 x 6	10.00	19.00	6.00
SC 10 x 19 x 7	10.00	19.00	7.00
SC 10 x 20 x 4	10.00	20.00	4.00
SC 10 x 20 x 5	10.00	20.00	5.00
SC 10 x 20 x 6	10.00	20.00	6.00
SC 10 x 21 x 5	10.00	21.00	5.00
SC 10 x 21 x 6	10.00	21.00	6.00
SC 10 x 22 x 4	10.00	22.00	4.00
SC 10 x 22 x 7	10.00	22.00	7.00
SC 10 x 24 x 7	10.00	24.00	7.00

Part number	Shaft diameter Ød1 h11	Bore diameter ØD1 H8	Seal height H1
SC 10 x 25 x 5	10.00	25.00	5.00
SC 10 x 26 x 5.5	10.00	26.00	5.50
SC 10 x 26 x 7	10.00	26.00	7.00
SC 10 x 28 x 7	10.00	28.00	7.00
SC 10 x 30 x 7	10.00	30.00	7.00
SC 11 x 17 x 4	11.00	17.00	4.00
SC 11 x 18 x 4	11.00	18.00	4.00
SC 11 x 22 x 7	11.00	22.00	7.00
SC 11 x 26 x 7	11.00	26.00	7.00
SC 12 x 18 x 4	12.00	18.00	4.00
SC 12 x 19 x 5	12.00	19.00	5.00
SC 12 x 20 x 5	12.00	20.00	5.00
SC 12 x 20 x 6	12.00	20.00	6.00
SC 12 x 21 x 4	12.00	21.00	4.00
SC 12 x 21 x 5	12.00	21.00	5.00
SC 12 x 22 x 4	12.00	22.00	4.00
SC 12 x 22 x 5	12.00	22.00	5.00
SC 12 x 22 x 6	12.00	22.00	6.00
SC 12 x 22 x 7	12.00	22.00	7.00
SC 12 x 24 x 4.5	12.00	24.00	4.50
SC 12 x 24 x 5	12.00	24.00	5.00
SC 12 x 24 x 6	12.00	24.00	6.00
SC 12 x 24 x 7	12.00	24.00	7.00
SC 12 x 25 x 4	12.00	25.00	4.00
SC 12 x 25 x 4.5	12.00	25.00	4.50
SC 12 x 25 x 5	12.00	25.00	5.00
SC 12 x 25 x 7	12.00	25.00	7.00
SC 12 x 26 x 4.5	12.00	26.00	4.50
SC 12 x 26 x 6	12.00	26.00	6.00
SC 12 x 26 x 8	12.00	26.00	8.00
SC 12 x 28 x 5	12.00	28.00	5.00
SC 12 x 28 x 6	12.00	28.00	6.00
SC 12 x 28 x 7	12.00	28.00	7.00
SC 12 x 28 x 8	12.00	28.00	8.00
SC 12 x 30 x 5	12.00	30.00	5.00
SC 12 x 30 x 6	12.00	30.00	6.00
SC 12 x 30 x 7	12.00	30.00	7.00
SC 12 x 32 x 5	12.00	32.00	5.00
SC 12 x 32 x 7	12.00	32.00	7.00
SC 12 x 32 x 10	12.00	32.00	10.00
SC 12 x 35 x 5	12.00	35.00	5.00
SC 12 x 35 x 10	12.00	35.00	10.00
SC 12 x 37 x 10	12.00	37.00	10.00
SC 12 x 45 x 7	12.00	45.00	7.00
SC 13 x 20 x 4.5	13.00	20.00	4.50
SC 13 x 22 x 4	13.00	22.00	4.00
SC 13 x 22 x 5	13.00	22.00	5.00
SC 13 x 22 x 6	13.00	22.00	6.00
SC 13 x 24 x 5	13.00	24.00	5.00
SC 13 x 24 x 6	13.00	24.00	6.00
SC 13 x 24 x 7	13.00	24.00	7.00
SC 13 x 25 x 5	13.00	25.00	5.00
SC 13 x 26 x 7	13.00	26.00	7.00
SC 13 x 28 x 7	13.00	28.00	7.00
SC 13 x 30 x 8	13.00	30.00	8.00
SC 13 x 32 x 6	13.00	32.00	6.00
SC 13 x 32 x 7	13.00	32.00	7.00
SC 14 x 20 x 5	14.00	20.00	5.00
SC 14 x 21 x 4	14.00	21.00	4.00
SC 14 x 22 x 4	14.00	22.00	4.00
SC 14 x 22 x 5	14.00	22.00	5.00
SC 14 x 22 x 6	14.00	22.00	6.00

Part number	Shaft diameter Ød1 h11	Bore diameter ØD1 H8	Seal height H1
SC 14 x 22 x 7	14.00	22.00	7.00
SC 14 x 24 x 5	14.00	24.00	5.00
SC 14 x 24 x 6	14.00	24.00	6.00
SC 14 x 24 x 7	14.00	24.00	7.00
SC 14 x 24 x 7.6	14.00	24.00	7.60
SC 14 x 24 x 8	14.00	24.00	8.00
SC 14 x 25 x 5	14.00	25.00	5.00
SC 14 x 25 x 6	14.00	25.00	6.00
SC 14 x 26 x 5	14.00	26.00	5.00
SC 14 x 26 x 6	14.00	26.00	6.00
SC 14 x 26 x 7	14.00	26.00	7.00
SC 14 x 26 x 8	14.00	26.00	8.00
SC 14 x 27 x 6	14.00	27.00	6.00
SC 14 x 27 x 7	14.00	27.00	7.00
SC 14 x 28 x 6	14.00	28.00	6.00
SC 14 x 28 x 7	14.00	28.00	7.00
SC 14 x 28 x 10	14.00	28.00	10.00
SC 14 x 30 x 4	14.00	30.00	4.00
SC 14 x 30 x 7	14.00	30.00	7.00
SC 14 x 30 x 8	14.00	30.00	8.00
SC 14 x 32 x 5	14.00	32.00	5.00
SC 14 x 32 x 9	14.00	32.00	9.00
SC 14 x 35 x 4.5	14.00	35.00	4.50
SC 14 x 42 x 6	14.00	42.00	6.00
SC 15 x 21 x 5	15.00	21.00	5.00
SC 15 x 22 x 6	15.00	22.00	6.00
SC 15 x 22 x 7	15.00	22.00	7.00
SC 15 x 24 x 4	15.00	24.00	4.00
SC 15 x 24 x 5	15.00	24.00	5.00
SC 15 x 24 x 7	15.00	24.00	7.00
SC 15 x 25 x 5	15.00	25.00	5.00
SC 15 x 25 x 6	15.00	25.00	6.00
SC 15 x 25 x 7	15.00	25.00	7.00
SC 15 x 25 x 10	15.00	25.00	10.00
SC 15 x 26 x 4	15.00	26.00	4.00
SC 15 x 26 x 5	15.00	26.00	5.00
SC 15 x 26 x 6	15.00	26.00	6.00
SC 15 x 26 x 7	15.00	26.00	7.00
SC 15 x 28 x 4	15.00	28.00	4.00
SC 15 x 28 x 5	15.00	28.00	5.00
SC 15 x 28 x 6	15.00	28.00	6.00
SC 15 x 28 x 7	15.00	28.00	7.00
SC 15 x 30 x 4.5	15.00	30.00	4.50
SC 15 x 30 x 5	15.00	30.00	5.00
SC 15 x 30 x 6	15.00	30.00	6.00
SC 15 x 30 x 7	15.00	30.00	7.00
SC 15 x 30 x 8	15.00	30.00	8.00
SC 15 x 30 x 10	15.00	30.00	10.00
SC 15 x 32 x 7	15.00	32.00	7.00
SC 15 x 33 x 7	15.00	33.00	7.00
SC 15 x 35 x 4	15.00	35.00	4.00
SC 15 x 35 x 5	15.00	35.00	5.00
SC 15 x 35 x 7	15.00	35.00	7.00
SC 15 x 35 x 8	15.00	35.00	8.00
SC 15 x 36 x 6	15.00	36.00	6.00
SC 15 x 40 x 8	15.00	40.00	8.00
SC 15 x 40 x 10	15.00	40.00	10.00
SC 15 x 42 x 7	15.00	42.00	7.00
SC 16 x 22 x 3	16.00	22.00	3.00
SC 16 x 22 x 4	16.00	22.00	4.00
SC 16 x 23 x 6.5	16.00	23.00	6.50
SC 16 x 24 x 4	16.00	24.00	4.00

Part number	Shaft diameter Ød1 h11	Bore diameter ØD1 H8	Seal height H1
SC 16 x 24 x 5	16.00	24.00	5.00
SC 16 x 24 x 6	16.00	24.00	6.00
SC 16 x 24 x 7	16.00	24.00	7.00
SC 16 x 26 x 5	16.00	26.00	5.00
SC 16 x 26 x 7	16.00	26.00	7.00
SC 16 x 27 x 6	16.00	27.00	6.00
SC 16 x 28 x 7	16.00	28.00	7.00
SC 16 x 30 x 4.5	16.00	30.00	4.50
SC 16 x 30 x 5	16.00	30.00	5.00
SC 16 x 30 x 7	16.00	30.00	7.00
SC 16 x 30 x 10	16.00	30.00	10.00
SC 16 x 32 x 7	16.00	32.00	7.00
SC 16 x 35 x 7	16.00	35.00	7.00
SC 16 x 35 x 8	16.00	35.00	8.00
SC 16 x 35 x 10	16.00	35.00	10.00
SC 16 x 38 x 7	16.00	38.00	7.00
SC 16 x 40 x 7	16.00	40.00	7.00
SC 16 x 40 x 8	16.00	40.00	8.00
SC 16 x 40 x 10	16.00	40.00	10.00
SC 17 x 24 x 5	17.00	24.00	5.00
SC 17 x 25 x 4	17.00	25.00	4.00
SC 17 x 25 x 5	17.00	25.00	5.00
SC 17 x 25 x 7	17.00	25.00	7.00
SC 17 x 26 x 6	17.00	26.00	6.00
SC 17 x 27 x 5	17.00	27.00	5.00
SC 17 x 27 x 6	17.00	27.00	6.00
SC 17 x 27 x 7	17.00	27.00	7.00
SC 17 x 28 x 4.5	17.00	28.00	4.50
SC 17 x 28 x 5	17.00	28.00	5.00
SC 17 x 28 x 6	17.00	28.00	6.00
SC 17 x 28 x 7	17.00	28.00	7.00
SC 17 x 28 x 7.3	17.00	28.00	7.30
SC 17 x 29 x 5	17.00	29.00	5.00
SC 17 x 30 x 5	17.00	30.00	5.00
SC 17 x 30 x 6	17.00	30.00	6.00
SC 17 x 30 x 7	17.00	30.00	7.00
SC 17 x 31 x 7	17.00	31.00	7.00
SC 17 x 32 x 5	17.00	32.00	5.00
SC 17 x 32 x 7	17.00	32.00	7.00
SC 17 x 32 x 8	17.00	32.00	8.00
SC 17 x 34 x 7	17.00	34.00	7.00
SC 17 x 35 x 5	17.00	35.00	5.00
SC 17 x 35 x 7	17.00	35.00	7.00
SC 17 x 35 x 8	17.00	35.00	8.00
SC 17 x 37 x 7	17.00	37.00	7.00
SC 17 x 38 x 7	17.00	38.00	7.00
SC 17 x 40 x 6	17.00	40.00	6.00
SC 17 x 40 x 7	17.00	40.00	7.00
SC 17 x 47 x 7	17.00	47.00	7.00
SC 17 x 47 x 10	17.00	47.00	10.00
SC 18 x 24 x 4	18.00	24.00	4.00
SC 18 x 26 x 6	18.00	26.00	6.00
SC 18 x 27 x 5	18.00	27.00	5.00
SC 18 x 28 x 6	18.00	28.00	6.00
SC 18 x 28 x 7	18.00	28.00	7.00
SC 18 x 29 x 5	18.00	29.00	5.00
SC 18 x 30 x 5	18.00	30.00	5.00
SC 18 x 30 x 7	18.00	30.00	7.00
SC 18 x 32 x 7	18.00	32.00	7.00
SC 18 x 35 x 5	18.00	35.00	5.00
SC 18 x 35 x 7	18.00	35.00	7.00
SC 18 x 35 x 10	18.00	35.00	10.00

Part number	Shaft diameter Ød1 h11	Bore diameter ØD1 H8	Seal height H1
SC 18 x 36 x 7	18.00	36.00	7.00
SC 18 x 37 x 5	18.00	37.00	5.00
SC 18 x 38 x 5	18.00	38.00	5.00
SC 18 x 40 x 7	18.00	40.00	7.00
SC 18 x 40 x 10	18.00	40.00	10.00
SC 18 x 47 x 10	18.00	47.00	10.00
SC 19 x 27 x 6	19.00	27.00	6.00
SC 19 x 28 x 6	19.00	28.00	6.00
SC 19 x 30 x 5	19.00	30.00	5.00
SC 19 x 30 x 7	19.00	30.00	7.00
SC 19 x 30 x 8	19.00	30.00	8.00
SC 19 x 32 x 5	19.00	32.00	5.00
SC 19 x 32 x 7	19.00	32.00	7.00
SC 19 x 35 x 6	19.00	35.00	6.00
SC 19 x 35 x 7	19.00	35.00	7.00
SC 19 x 35 x 8	19.00	35.00	8.00
SC 19 x 35 x 10	19.00	35.00	10.00
SC 19 x 36 x 8.5	19.00	36.00	8.50
SC 19 x 40 x 8	19.00	40.00	8.00
SC 19 x 42 x 7	19.00	42.00	7.00
SC 19 x 47 x 10	19.00	47.00	10.00
SC 20 x 26 x 4	20.00	26.00	4.00
SC 20 x 28 x 4	20.00	28.00	4.00
SC 20 x 28 x 5	20.00	28.00	5.00
SC 20 x 28 x 6	20.00	28.00	6.00
SC 20 x 28 x 7	20.00	28.00	7.00
SC 20 x 30 x 4	20.00	30.00	4.00
SC 20 x 30 x 5	20.00	30.00	5.00
SC 20 x 30 x 6	20.00	30.00	6.00
SC 20 x 30 x 7	20.00	30.00	7.00
SC 20 x 32 x 5	20.00	32.00	5.00
SC 20 x 32 x 6	20.00	32.00	6.00
SC 20 x 32 x 7	20.00	32.00	7.00
SC 20 x 33 x 6	20.00	33.00	6.00
SC 20 x 34 x 4	20.00	34.00	4.00
SC 20 x 34 x 5	20.00	34.00	5.00
SC 20 x 34 x 6	20.00	34.00	6.00
SC 20 x 34 x 6.5	20.00	34.00	6.50
SC 20 x 34 x 7	20.00	34.00	7.00
SC 20 x 35 x 4	20.00	35.00	4.00
SC 20 x 35 x 5.5	20.00	35.00	5.50
SC 20 x 35 x 6	20.00	35.00	6.00
SC 20 x 35 x 7	20.00	35.00	7.00
SC 20 x 35 x 10	20.00	35.00	10.00
SC 20 x 36 x 7	20.00	36.00	7.00
SC 20 x 36 x 8	20.00	36.00	8.00
SC 20 x 37 x 7	20.00	37.00	7.00
SC 20 x 37 x 8	20.00	37.00	8.00
SC 20 x 38 x 5	20.00	38.00	5.00
SC 20 x 38 x 7	20.00	38.00	7.00
SC 20 x 38 x 8	20.00	38.00	8.00
SC 20 x 40 x 7	20.00	40.00	7.00
SC 20 x 40 x 10	20.00	40.00	10.00
SC 20 x 42 x 5.5	20.00	42.00	5.50
SC 20 x 42 x 6	20.00	42.00	6.00
SC 20 x 42 x 7	20.00	42.00	7.00
SC 20 x 47 x 5	20.00	47.00	5.00
SC 20 x 47 x 7	20.00	47.00	7.00
SC 20 x 47 x 8.5	20.00	47.00	8.50
SC 20 x 47 x 10	20.00	47.00	10.00
SC 20 x 48 x 7	20.00	48.00	7.00
SC 20 x 52 x 6	20.00	52.00	6.00

Part number	Shaft diameter Ød1 h11	Bore diameter ØD1 H8	Seal height H1
SC 20 x 52 x 7	20.00	52.00	7.00
SC 20 x 52 x 8	20.00	52.00	8.00
SC 20 x 52 x 10	20.00	52.00	10.00
SC 21 x 28 x 4	21.00	28.00	4.00
SC 21 x 35 x 6	21.00	35.00	6.00
SC 21 x 35 x 6.5	21.00	35.00	6.50
SC 21 x 36 x 7	21.00	36.00	7.00
SC 22 x 28 x 8	22.00	28.00	8.00
SC 22 x 31 x 5	22.00	31.00	5.00
SC 22 x 32 x 5	22.00	32.00	5.00
SC 22 x 32 x 5.5	22.00	32.00	5.50
SC 22 x 32 x 6	22.00	32.00	6.00
SC 22 x 32 x 7	22.00	32.00	7.00
SC 22 x 34 x 7	22.00	34.00	7.00
SC 22 x 35 x 5.5	22.00	35.00	5.50
SC 22 x 35 x 6	22.00	35.00	6.00
SC 22 x 35 x 6.4	22.00	35.00	6.40
SC 22 x 35 x 7	22.00	35.00	7.00
SC 22 x 35 x 8	22.00	35.00	8.00
SC 22 x 35 x 10	22.00	35.00	10.00
SC 22 x 36 x 6	22.00	36.00	6.00
SC 22 x 36 x 7	22.00	36.00	7.00
SC 22 x 38 x 6	22.00	38.00	6.00
SC 22 x 38 x 8	22.00	38.00	8.00
SC 22 x 40 x 7	22.00	40.00	7.00
SC 22 x 40 x 10	22.00	40.00	10.00
SC 22 x 42 x 7	22.00	42.00	7.00
SC 22 x 45 x 7	22.00	45.00	7.00
SC 22 x 47 x 7	22.00	47.00	7.00
SC 22 x 47 x 10	22.00	47.00	10.00
SC 22 x 50 x 7	22.00	50.00	7.00
SC 22 x 62 x 5.4	22.00	62.00	5.40
SC 23 x 36 x 6	23.00	36.00	6.00
SC 23 x 37 x 6	23.00	37.00	6.00
SC 23 x 37 x 7	23.00	37.00	7.00
SC 23 x 40 x 6	23.00	40.00	6.00
SC 23 x 40 x 8	23.00	40.00	8.00
SC 23 x 40 x 10	23.00	40.00	10.00
SC 23 x 42 x 10	23.00	42.00	10.00
SC 24 x 35 x 6	24.00	35.00	6.00
SC 24 x 35 x 7	24.00	35.00	7.00
SC 24 x 36 x 6	24.00	36.00	6.00
SC 24 x 37 x 5	24.00	37.00	5.00
SC 24 x 37 x 7	24.00	37.00	7.00
SC 24 x 40 x 6.5	24.00	40.00	6.50
SC 24 x 40 x 7	24.00	40.00	7.00
SC 24 x 40 x 8	24.00	40.00	8.00
SC 24 x 40 x 10	24.00	40.00	10.00
SC 24 x 42 x 10	24.00	42.00	10.00
SC 24 x 47 x 6	24.00	47.00	6.00
SC 24 x 47 x 6.4	24.00	47.00	6.40
SC 24 x 47 x 7	24.00	47.00	7.00
SC 24 x 47 x 10	24.00	47.00	10.00
SC 24 x 52 x 10	24.00	52.00	10.00
SC 25 x 32 x 6	25.00	32.00	6.00
SC 25 x 33 x 4	25.00	33.00	4.00
SC 25 x 33 x 6	25.00	33.00	6.00
SC 25 x 34 x 7	25.00	34.00	7.00
SC 25 x 35 x 5	25.00	35.00	5.00
SC 25 x 35 x 6	25.00	35.00	6.00
SC 25 x 35 x 7	25.00	35.00	7.00
SC 25 x 35 x 9	25.00	35.00	9.00

Part number	Shaft diameter Ød1 h11	Bore diameter ØD1 H8	Seal height H1
SC 25 x 36 x 7	25.00	36.00	7.00
SC 25 x 37 x 5	25.00	37.00	5.00
SC 25 x 37 x 6	25.00	37.00	6.00
SC 25 x 37 x 7	25.00	37.00	7.00
SC 25 x 37 x 7.5	25.00	37.00	7.50
SC 25 x 37 x 8	25.00	37.00	8.00
SC 25 x 38 x 5	25.00	38.00	5.00
SC 25 x 38 x 7	25.00	38.00	7.00
SC 25 x 40 x 5	25.00	40.00	5.00
SC 25 x 40 x 7	25.00	40.00	7.00
SC 25 x 40 x 8	25.00	40.00	8.00
SC 25 x 40 x 10	25.00	40.00	10.00
SC 25 x 42 x 4	25.00	42.00	4.00
SC 25 x 42 x 6	25.00	42.00	6.00
SC 25 x 42 x 7	25.00	42.00	7.00
SC 25 x 42 x 8	25.00	42.00	8.00
SC 25 x 42 x 8.5	25.00	42.00	8.50
SC 25 x 42 x 10	25.00	42.00	10.00
SC 25 x 43 x 10	25.00	43.00	10.00
SC 25 x 45 x 6.5	25.00	45.00	6.50
SC 25 x 45 x 10	25.00	45.00	10.00
SC 25 x 46 x 7	25.00	46.00	7.00
SC 25 x 47 x 5	25.00	47.00	5.00
SC 25 x 47 x 6	25.00	47.00	6.00
SC 25 x 47 x 7	25.00	47.00	7.00
SC 25 x 47 x 8	25.00	47.00	8.00
SC 25 x 47 x 10	25.00	47.00	10.00
SC 25 x 48 x 8	25.00	48.00	8.00
SC 25 x 50 x 10	25.00	50.00	10.00
SC 25 x 52 x 7	25.00	52.00	7.00
SC 25 x 52 x 8	25.00	52.00	8.00
SC 25 x 52 x 10	25.00	52.00	10.00
SC 25 x 62 x 6	25.00	62.00	6.00
SC 25 x 62 x 7	25.00	62.00	7.00
SC 25 x 62 x 8	25.00	62.00	8.00
SC 25 x 62 x 10	25.00	62.00	10.00
SC 25 x 72 x 7	25.00	72.00	7.00
SC 26 x 34 x 4	26.00	34.00	4.00
SC 26 x 37 x 6	26.00	37.00	6.00
SC 26 x 37 x 7	26.00	37.00	7.00
SC 26 x 38 x 5	26.00	38.00	5.00
SC 26 x 38 x 8	26.00	38.00	8.00
SC 26 x 39 x 5	26.00	39.00	5.00
SC 26 x 40 x 6	26.00	40.00	6.00
SC 26 x 42 x 6	26.00	42.00	6.00
SC 26 x 42 x 7	26.00	42.00	7.00
SC 26 x 42 x 8	26.00	42.00	8.00
SC 26 x 47 x 7	26.00	47.00	7.00
SC 26 x 47 x 9	26.00	47.00	9.00
SC 26 x 47 x 10	26.00	47.00	10.00
SC 26 x 52 x 7	26.00	52.00	7.00
SC 26 x 52 x 8	26.00	52.00	8.00
SC 27 x 36 x 7	27.00	36.00	7.00
SC 27 x 37 x 5	27.00	37.00	5.00
SC 27 x 37 x 7	27.00	37.00	7.00
SC 27 x 40 x 6	27.00	40.00	6.00
SC 27 x 41 x 10	27.00	41.00	10.00
SC 27 x 42 x 10	27.00	42.00	10.00
SC 27 x 43 x 8	27.00	43.00	8.00
SC 27 x 47 x 6	27.00	47.00	6.00
SC 27 x 47 x 10	27.00	47.00	10.00
SC 27 x 49 x 10	27.00	49.00	10.00

Part number	Shaft diameter Ød1 h11	Bore diameter ØD1 H8	Seal height H1
SC 28 x 35 x 5	28.00	35.00	5.00
SC 28 x 37 x 7	28.00	37.00	7.00
SC 28 x 38 x 5.5	28.00	38.00	5.50
SC 28 x 38 x 6	28.00	38.00	6.00
SC 28 x 38 x 6.5	28.00	38.00	6.50
SC 28 x 38 x 7	28.00	38.00	7.00
SC 28 x 38 x 10	28.00	38.00	10.00
SC 28 x 40 x 7	28.00	40.00	7.00
SC 28 x 42 x 5.5	28.00	42.00	5.50
SC 28 x 42 x 7	28.00	42.00	7.00
SC 28 x 43 x 7	28.00	43.00	7.00
SC 28 x 45 x 6	28.00	45.00	6.00
SC 28 x 45 x 8	28.00	45.00	8.00
SC 28 x 47 x 5	28.00	47.00	5.00
SC 28 x 47 x 7	28.00	47.00	7.00
SC 28 x 47 x 8.5	28.00	47.00	8.50
SC 28 x 47 x 10	28.00	47.00	10.00
SC 28 x 50 x 6	28.00	50.00	6.00
SC 28 x 50 x 8	28.00	50.00	8.00
SC 28 x 52 x 5	28.00	52.00	5.00
SC 28 x 52 x 7	28.00	52.00	7.00
SC 28 x 52 x 10	28.00	52.00	10.00
SC 28 x 62 x 10	28.00	62.00	10.00
SC 28 x 72 x 10	28.00	72.00	10.00
SC 29 x 40 x 7	29.00	40.00	7.00
SC 29 x 41 x 5	29.00	41.00	5.00
SC 29 x 50 x 10	29.00	50.00	10.00
SC 30 x 37 x 4	30.00	37.00	4.00
SC 30 x 37 x 8	30.00	37.00	8.00
SC 30 x 40 x 4	30.00	40.00	4.00
SC 30 x 40 x 5	30.00	40.00	5.00
SC 30 x 40 x 7	30.00	40.00	7.00
SC 30 x 40 x 8	30.00	40.00	8.00
SC 30 x 40 x 10	30.00	40.00	10.00
SC 30 x 41 x 7	30.00	41.00	7.00
SC 30 x 42 x 4.5	30.00	42.00	4.50
SC 30 x 42 x 6	30.00	42.00	6.00
SC 30 x 42 x 7	30.00	42.00	7.00
SC 30 x 42 x 8	30.00	42.00	8.00
SC 30 x 44 x 9	30.00	44.00	9.00
SC 30 x 44 x 10	30.00	44.00	10.00
SC 30 x 45 x 5	30.00	45.00	5.00
SC 30 x 45 x 6	30.00	45.00	6.00
SC 30 x 45 x 7	30.00	45.00	7.00
SC 30 x 45 x 8	30.00	45.00	8.00
SC 30 x 45 x 10	30.00	45.00	10.00
SC 30 x 46 x 8	30.00	46.00	8.00
SC 30 x 47 x 5	30.00	47.00	5.00
SC 30 x 47 x 6	30.00	47.00	6.00
SC 30 x 47 x 7	30.00	47.00	7.00
SC 30 x 47 x 8	30.00	47.00	8.00
SC 30 x 47 x 8.5	30.00	47.00	8.50
SC 30 x 47 x 10	30.00	47.00	10.00
SC 30 x 48 x 7	30.00	48.00	7.00
SC 30 x 48 x 8	30.00	48.00	8.00
SC 30 x 50 x 5	30.00	50.00	5.00
SC 30 x 50 x 7	30.00	50.00	7.00
SC 30 x 50 x 8	30.00	50.00	8.00
SC 30 x 50 x 10	30.00	50.00	10.00
SC 30 x 50 x 11	30.00	50.00	11.00
SC 30 x 52 x 4	30.00	52.00	4.00
SC 30 x 52 x 6	30.00	52.00	6.00



Part number	Shaft diameter Ød1 h11	Bore diameter ØD1 H8	Seal height H1
SC 30 x 52 x 7	30.00	52.00	7.00
SC 30 x 52 x 8	30.00	52.00	8.00
SC 30 x 52 x 10	30.00	52.00	10.00
SC 30 x 55 x 7	30.00	55.00	7.00
SC 30 x 55 x 10	30.00	55.00	10.00
SC 30 x 56 x 10	30.00	56.00	10.00
SC 30 x 56 x 12	30.00	56.00	12.00
SC 30 x 60 x 10	30.00	60.00	10.00
SC 30 x 62 x 7	30.00	62.00	7.00
SC 30 x 62 x 10	30.00	62.00	10.00
SC 30 x 62 x 12	30.00	62.00	12.00
SC 30 x 72 x 6	30.00	72.00	6.00
SC 30 x 72 x 10	30.00	72.00	10.00
SC 31 x 42 x 8	31.00	42.00	8.00
SC 31 x 43 x 5.6	31.00	43.00	5.60
SC 31 x 45 x 6	31.00	45.00	6.00
SC 31 x 45 x 7	31.00	45.00	7.00
SC 31 x 47 x 7	31.00	47.00	7.00
SC 31 x 50 x 8	31.00	50.00	8.00
SC 32 x 40 x 7	32.00	40.00	7.00
SC 32 x 42 x 7	32.00	42.00	7.00
SC 32 x 44 x 10	32.00	44.00	10.00
SC 32 x 45 x 5	32.00	45.00	5.00
SC 32 x 45 x 6	32.00	45.00	6.00
SC 32 x 45 x 7	32.00	45.00	7.00
SC 32 x 45 x 8	32.00	45.00	8.00
SC 32 x 45 x 10	32.00	45.00	10.00
SC 32 x 46 x 7	32.00	46.00	7.00
SC 32 x 47 x 7	32.00	47.00	7.00
SC 32 x 48 x 8	32.00	48.00	8.00
SC 32 x 50 x 8	32.00	50.00	8.00
SC 32 x 52 x 5	32.00	52.00	5.00
SC 32 x 52 x 7	32.00	52.00	7.00
SC 32 x 52 x 10	32.00	52.00	10.00
SC 32 x 62 x 6	32.00	62.00	6.00
SC 32 x 72 x 10	32.00	72.00	10.00
SC 33 x 45 x 7	33.00	45.00	7.00
SC 33 x 50 x 6	33.00	50.00	6.00
SC 33 x 50 x 10	33.00	50.00	10.00
SC 33 x 52 x 6	33.00	52.00	6.00
SC 33 x 52 x 8	33.00	52.00	8.00
SC 33 x 54 x 6.5	33.00	54.00	6.50
SC 33 x 66 x 12	33.00	66.00	12.00
SC 34 x 48 x 7.5	34.00	48.00	7.50
SC 34 x 52 x 7.5	34.00	52.00	7.50
SC 34 x 52 x 8	34.00	52.00	8.00
SC 34 x 62 x 10	34.00	62.00	10.00
SC 35 x 42 x 4	35.00	42.00	4.00
SC 35 x 44 x 4	35.00	44.00	4.00
SC 35 x 45 x 4	35.00	45.00	4.00
SC 35 x 45 x 5	35.00	45.00	5.00
SC 35 x 45 x 6	35.00	45.00	6.00
SC 35 x 45 x 7	35.00	45.00	7.00
SC 35 x 46 x 7	35.00	46.00	7.00
SC 35 x 47 x 5	35.00	47.00	5.00
SC 35 x 47 x 7	35.00	47.00	7.00
SC 35 x 47 x 9	35.00	47.00	9.00
SC 35 x 47 x 10	35.00	47.00	10.00
SC 35 x 50 x 5	35.00	50.00	5.00
SC 35 x 50 x 7	35.00	50.00	7.00
SC 35 x 50 x 8	35.00	50.00	8.00
SC 35 x 50 x 10	35.00	50.00	10.00

Part number	Shaft diameter Ød1 h11	Bore diameter ØD1 H8	Seal height H1
SC 35 x 50 x 12	35.00	50.00	12.00
SC 35 x 52 x 6	35.00	52.00	6.00
SC 35 x 52 x 7	35.00	52.00	7.00
SC 35 x 52 x 8	35.00	52.00	8.00
SC 35 x 52 x 10	35.00	52.00	10.00
SC 35 x 53 x 7	35.00	53.00	7.00
SC 35 x 55 x 8	35.00	55.00	8.00
SC 35 x 55 x 10	35.00	55.00	10.00
SC 35 x 56 x 8	35.00	56.00	8.00
SC 35 x 56 x 10	35.00	56.00	10.00
SC 35 x 56 x 12	35.00	56.00	12.00
SC 35 x 57 x 6	35.00	57.00	6.00
SC 35 x 58 x 9	35.00	58.00	9.00
SC 35 x 58 x 10	35.00	58.00	10.00
SC 35 x 60 x 8	35.00	60.00	8.00
SC 35 x 60 x 10	35.00	60.00	10.00
SC 35 x 62 x 7	35.00	62.00	7.00
SC 35 x 62 x 8	35.00	62.00	8.00
SC 35 x 62 x 10	35.00	62.00	10.00
SC 35 x 65 x 10	35.00	65.00	10.00
SC 35 x 68 x 6	35.00	68.00	6.00
SC 35 x 68 x 8	35.00	68.00	8.00
SC 35 x 68 x 10	35.00	68.00	10.00
SC 35 x 68 x 12	35.00	68.00	12.00
SC 35 x 72 x 7	35.00	72.00	7.00
SC 35 x 72 x 10	35.00	72.00	10.00
SC 35 x 72 x 12	35.00	72.00	12.00
SC 35 x 80 x 8	35.00	80.00	8.00
SC 35 x 80 x 10	35.00	80.00	10.00
SC 35 x 80 x 12	35.00	80.00	12.00
SC 35 x 80 x 13	35.00	80.00	13.00
SC 35 x 82 x 6	35.00	82.00	6.00
SC 36 x 47 x 7	36.00	47.00	7.00
SC 36 x 50 x 7	36.00	50.00	7.00
SC 36 x 52 x 6.3	36.00	52.00	6.30
SC 36 x 52 x 7	36.00	52.00	7.00
SC 36 x 54 x 7	36.00	54.00	7.00
SC 36 x 54 x 7.5	36.00	54.00	7.50
SC 36 x 54 x 8	36.00	54.00	8.00
SC 36 x 56 x 10	36.00	56.00	10.00
SC 36 x 58 x 10	36.00	58.00	10.00
SC 36 x 62 x 7	36.00	62.00	7.00
SC 36 x 68 x 10	36.00	68.00	10.00
SC 36 x 83 x 12	36.00	83.00	12.00
SC 37 x 50 x 7	37.00	50.00	7.00
SC 37 x 52 x 7	37.00	52.00	7.00
SC 37 x 52 x 8	37.00	52.00	8.00
SC 37 x 56 x 9	37.00	56.00	9.00
SC 37 x 62 x 8	37.00	62.00	8.00
SC 37 x 62 x 10	37.00	62.00	10.00
SC 37 x 80 x 10	37.00	80.00	10.00
SC 37 x 80 x 12	37.00	80.00	12.00
SC 37 x 80 x 13	37.00	80.00	13.00
SC 38 x 47 x 10	38.00	47.00	10.00
SC 38 x 50 x 6	38.00	50.00	6.00
SC 38 x 50 x 7	38.00	50.00	7.00
SC 38 x 50 x 8	38.00	50.00	8.00
SC 38 x 52 x 7	38.00	52.00	7.00
SC 38 x 52 x 8	38.00	52.00	8.00
SC 38 x 52 x 10	38.00	52.00	10.00
SC 38 x 53 x 7	38.00	53.00	7.00
SC 38 x 54 x 10	38.00	54.00	10.00

Part number	Shaft diameter Ød1 h11	Bore diameter ØD1 H8	Seal height H1
SC 38 x 55 x 6	38.00	55.00	6.00
SC 38 x 55 x 7	38.00	55.00	7.00
SC 38 x 55 x 10	38.00	55.00	10.00
SC 38 x 56 x 10	38.00	56.00	10.00
SC 38 x 62 x 7	38.00	62.00	7.00
SC 38 x 62 x 8	38.00	62.00	8.00
SC 38 x 62 x 10	38.00	62.00	10.00
SC 38 x 62 x 11	38.00	62.00	11.00
SC 38 x 65 x 8	38.00	65.00	8.00
SC 38 x 74 x 10	38.00	74.00	10.00
SC 39 x 51 x 7.5	39.00	51.00	7.50
SC 39 x 65 x 9	39.00	65.00	9.00
SC 40 x 50 x 7	40.00	50.00	7.00
SC 40 x 50 x 8	40.00	50.00	8.00
SC 40 x 50 x 10	40.00	50.00	10.00
SC 40 x 52 x 6	40.00	52.00	6.00
SC 40 x 52 x 6.5	40.00	52.00	6.50
SC 40 x 52 x 7	40.00	52.00	7.00
SC 40 x 55 x 6	40.00	55.00	6.00
SC 40 x 55 x 7	40.00	55.00	7.00
SC 40 x 55 x 8	40.00	55.00	8.00
SC 40 x 55 x 10	40.00	55.00	10.00
SC 40 x 56 x 7	40.00	56.00	7.00
SC 40 x 56 x 8	40.00	56.00	8.00
SC 40 x 56 x 12	40.00	56.00	12.00
SC 40 x 58 x 6	40.00	58.00	6.00
SC 40 x 58 x 8	40.00	58.00	8.00
SC 40 x 58 x 9	40.00	58.00	9.00
SC 40 x 58 x 10	40.00	58.00	10.00
SC 40 x 58 x 12	40.00	58.00	12.00
SC 40 x 60 x 5.5	40.00	60.00	5.50
SC 40 x 60 x 7	40.00	60.00	7.00
SC 40 x 60 x 8	40.00	60.00	8.00
SC 40 x 60 x 10	40.00	60.00	10.00
SC 40 x 60 x 12	40.00	60.00	12.00
SC 40 x 62 x 7	40.00	62.00	7.00
SC 40 x 62 x 8	40.00	62.00	8.00
SC 40 x 62 x 10	40.00	62.00	10.00
SC 40 x 62 x 11.5	40.00	62.00	11.50
SC 40 x 62 x 12	40.00	62.00	12.00
SC 40 x 65 x 10	40.00	65.00	10.00
SC 40 x 68 x 7	40.00	68.00	7.00
SC 40 x 68 x 8	40.00	68.00	8.00
SC 40 x 68 x 10	40.00	68.00	10.00
SC 40 x 68 x 12	40.00	68.00	12.00
SC 40 x 70 x 10	40.00	70.00	10.00
SC 40 x 72 x 7	40.00	72.00	7.00
SC 40 x 72 x 10	40.00	72.00	10.00
SC 40 x 75 x 7	40.00	75.00	7.00
SC 40 x 80 x 7	40.00	80.00	7.00
SC 40 x 80 x 8	40.00	80.00	8.00
SC 40 x 80 x 10	40.00	80.00	10.00
SC 40 x 80 x 13	40.00	80.00	13.00
SC 40 x 85 x 10	40.00	85.00	10.00
SC 40 x 88 x 6	40.00	88.00	6.00
SC 40 x 90 x 8	40.00	90.00	8.00
SC 40 x 90 x 10	40.00	90.00	10.00
SC 40 x 90 x 12	40.00	90.00	12.00
SC 41 x 56 x 7	41.00	56.00	7.00
SC 42 x 52 x 7	42.00	52.00	7.00
SC 42 x 52 x 10	42.00	52.00	10.00
SC 42 x 55 x 7	42.00	55.00	7.00

Part number	Shaft diameter Ød1 h11	Bore diameter ØD1 H8	Seal height H1
SC 42 x 55 x 8	42.00	55.00	8.00
SC 42 x 56 x 7	42.00	56.00	7.00
SC 42 x 58 x 10	42.00	58.00	10.00
SC 42 x 59 x 7.7	42.00	59.00	7.70
SC 42 x 60 x 10	42.00	60.00	10.00
SC 42 x 60 x 12	42.00	60.00	12.00
SC 42 x 62 x 6	42.00	62.00	6.00
SC 42 x 62 x 7	42.00	62.00	7.00
SC 42 x 62 x 8	42.00	62.00	8.00
SC 42 x 62 x 10	42.00	62.00	10.00
SC 42 x 64 x 7	42.00	64.00	7.00
SC 42 x 65 x 8	42.00	65.00	8.00
SC 42 x 65 x 10	42.00	65.00	10.00
SC 42 x 72 x 8	42.00	72.00	8.00
SC 42 x 72 x 10	42.00	72.00	10.00
SC 42 x 85 x 8	42.00	85.00	8.00
SC 43 x 53 x 5	43.00	53.00	5.00
SC 43 x 54 x 7.5	43.00	54.00	7.50
SC 43 x 55 x 7	43.00	55.00	7.00
SC 43 x 55 x 8	43.00	55.00	8.00
SC 43 x 60 x 10	43.00	60.00	10.00
SC 43 x 62 x 8	43.00	62.00	8.00
SC 43 x 75 x 10	43.00	75.00	10.00
SC 44 x 54 x 5	44.00	54.00	5.00
SC 44 x 59 x 6.8	44.00	59.00	6.80
SC 44 x 60 x 8	44.00	60.00	8.00
SC 44 x 60 x 10	44.00	60.00	10.00
SC 44 x 62 x 10	44.00	62.00	10.00
SC 44 x 65 x 10	44.00	65.00	10.00
SC 44 x 68 x 8	44.00	68.00	8.00
SC 44 x 72 x 8	44.00	72.00	8.00
SC 44 x 72 x 10	44.00	72.00	10.00
SC 45 x 55 x 4	45.00	55.00	4.00
SC 45 x 55 x 7	45.00	55.00	7.00
SC 45 x 56 x 6	45.00	56.00	6.00
SC 45 x 58 x 8	45.00	58.00	8.00
SC 45 x 60 x 7	45.00	60.00	7.00
SC 45 x 60 x 8	45.00	60.00	8.00
SC 45 x 60 x 10	45.00	60.00	10.00
SC 45 x 62 x 6	45.00	62.00	6.00
SC 45 x 62 x 7	45.00	62.00	7.00
SC 45 x 62 x 8	45.00	62.00	8.00
SC 45 x 62 x 9	45.00	62.00	9.00
SC 45 x 62 x 10	45.00	62.00	10.00
SC 45 x 65 x 7	45.00	65.00	7.00
SC 45 x 65 x 8	45.00	65.00	8.00
SC 45 x 65 x 10	45.00	65.00	10.00
SC 45 x 68 x 8	45.00	68.00	8.00
SC 45 x 68 x 10	45.00	68.00	10.00
SC 45 x 70 x 7	45.00	70.00	7.00
SC 45 x 70 x 8	45.00	70.00	8.00
SC 45 x 70 x 10	45.00	70.00	10.00
SC 45 x 72 x 8	45.00	72.00	8.00
SC 45 x 72 x 10	45.00	72.00	10.00
SC 45 x 72 x 12	45.00	72.00	12.00
SC 45 x 75 x 8	45.00	75.00	8.00
SC 45 x 75 x 10	45.00	75.00	10.00
SC 45 x 80 x 10	45.00	80.00	10.00
SC 45 x 80 x 13	45.00	80.00	13.00
SC 45 x 85 x 10	45.00	85.00	10.00
SC 45 x 90 x 10	45.00	90.00	10.00
SC 45 x 93 x 6	45.00	93.00	6.00

Part number	Shaft diameter Ød1 h11	Bore diameter ØD1 H8	Seal height H1
SC 45 x 100 x 10	45.00	100.00	10.00
SC 46 x 62 x 9	46.00	62.00	9.00
SC 46 x 65 x 10	46.00	65.00	10.00
SC 46 x 72 x 10	46.00	72.00	10.00
SC 47 x 56 x 7	47.00	56.00	7.00
SC 47 x 62 x 8	47.00	62.00	8.00
SC 47 x 65 x 8	47.00	65.00	8.00
SC 48 x 62 x 8	48.00	62.00	8.00
SC 48 x 64 x 7	48.00	64.00	7.00
SC 48 x 65 x 7	48.00	65.00	7.00
SC 48 x 65 x 10	48.00	65.00	10.00
SC 48 x 68 x 10	48.00	68.00	10.00
SC 48 x 72 x 7	48.00	72.00	7.00
SC 48 x 72 x 8	48.00	72.00	8.00
SC 48 x 72 x 10	48.00	72.00	10.00
SC 48 x 80 x 10	48.00	80.00	10.00
SC 48 x 85 x 10	48.00	85.00	10.00
SC 49 x 65 x 9	49.00	65.00	9.00
SC 50 x 60 x 8	50.00	60.00	8.00
SC 50 x 62 x 7	50.00	62.00	7.00
SC 50 x 62 x 8	50.00	62.00	8.00
SC 50 x 65 x 8	50.00	65.00	8.00
SC 50 x 65 x 10	50.00	65.00	10.00
SC 50 x 66 x 8	50.00	66.00	8.00
SC 50 x 68 x 8	50.00	68.00	8.00
SC 50 x 68 x 10	50.00	68.00	10.00
SC 50 x 70 x 8	50.00	70.00	8.00
SC 50 x 70 x 10	50.00	70.00	10.00
SC 50 x 70 x 12	50.00	70.00	12.00
SC 50 x 72 x 8	50.00	72.00	8.00
SC 50 x 72 x 10	50.00	72.00	10.00
SC 50 x 72 x 12	50.00	72.00	12.00
SC 50 x 75 x 10	50.00	75.00	10.00
SC 50 x 80 x 8	50.00	80.00	8.00
SC 50 x 80 x 10	50.00	80.00	10.00
SC 50 x 85 x 10	50.00	85.00	10.00
SC 50 x 90 x 10	50.00	90.00	10.00
SC 50 x 98 x 6	50.00	98.00	6.00
SC 50 x 110 x 10	50.00	110.00	10.00
SC 51 x 62 x 7	51.00	62.00	7.00
SC 51 x 66 x 6.5	51.00	66.00	6.50
SC 52 x 62 x 8	52.00	62.00	8.00
SC 52 x 65 x 8	52.00	65.00	8.00
SC 52 x 66 x 6	52.00	66.00	6.00
SC 52 x 66 x 9	52.00	66.00	9.00
SC 52 x 68 x 8	52.00	68.00	8.00
SC 52 x 68 x 10	52.00	68.00	10.00
SC 52 x 69 x 10	52.00	69.00	10.00
SC 52 x 72 x 8	52.00	72.00	8.00
SC 52 x 75 x 8	52.00	75.00	8.00
SC 52 x 75 x 12	52.00	75.00	12.00
SC 52 x 78 x 9	52.00	78.00	9.00
SC 52 x 80 x 8	52.00	80.00	8.00
SC 52 x 80 x 10	52.00	80.00	10.00
SC 52 x 85 x 10	52.00	85.00	10.00
SC 52 x 85 x 13	52.00	85.00	13.00
SC 53 x 71 x 9	53.00	71.00	9.00
SC 53 x 85 x 8	53.00	85.00	8.00
SC 54 x 73 x 12.3	54.00	73.00	12.30
SC 54 x 76 x 12	54.00	76.00	12.00
SC 54 x 81 x 11	54.00	81.00	11.00
SC 54 x 85 x 8	54.00	85.00	8.00

Part number	Shaft diameter Ød1 h11	Bore diameter ØD1 H8	Seal height H1
SC 55 x 63 x 5	55.00	63.00	5.00
SC 55 x 68 x 8	55.00	68.00	8.00
SC 55 x 70 x 8	55.00	70.00	8.00
SC 55 x 70 x 10	55.00	70.00	10.00
SC 55 x 72 x 7	55.00	72.00	7.00
SC 55 x 72 x 8	55.00	72.00	8.00
SC 55 x 72 x 10	55.00	72.00	10.00
SC 55 x 75 x 7	55.00	75.00	7.00
SC 55 x 75 x 10	55.00	75.00	10.00
SC 55 x 78 x 12	55.00	78.00	12.00
SC 55 x 80 x 8	55.00	80.00	8.00
SC 55 x 80 x 10	55.00	80.00	10.00
SC 55 x 80 x 12	55.00	80.00	12.00
SC 55 x 80 x 13	55.00	80.00	13.00
SC 55 x 85 x 8	55.00	85.00	8.00
SC 55 x 85 x 10	55.00	85.00	10.00
SC 55 x 85 x 13	55.00	85.00	13.00
SC 55 x 90 x 10	55.00	90.00	10.00
SC 55 x 90 x 12	55.00	90.00	12.00
SC 55 x 92 x 9	55.00	92.00	9.00
SC 55 x 100 x 12	55.00	100.00	12.00
SC 55 x 100 x 12.5	55.00	100.00	12.50
SC 56 x 70 x 8	56.00	70.00	8.00
SC 56 x 72 x 8	56.00	72.00	8.00
SC 56 x 80 x 8	56.00	80.00	8.00
SC 56 x 85 x 8	56.00	85.00	8.00
SC 56 x 85 x 13	56.00	85.00	13.00
SC 56 x 90 x 10	56.00	90.00	10.00
SC 56 x 100 x 10	56.00	100.00	10.00
SC 57 x 90 x 13	57.00	90.00	13.00
SC 58 x 72 x 8	58.00	72.00	8.00
SC 58 x 80 x 8	58.00	80.00	8.00
SC 58 x 80 x 10	58.00	80.00	10.00
SC 58 x 80 x 11	58.00	80.00	11.00
SC 58 x 85 x 12	58.00	85.00	12.00
SC 58 x 90 x 10	58.00	90.00	10.00
SC 58 x 90 x 11	58.00	90.00	11.00
SC 60 x 70 x 7	60.00	70.00	7.00
SC 60 x 70 x 8	60.00	70.00	8.00
SC 60 x 72 x 8	60.00	72.00	8.00
SC 60 x 74 x 10	60.00	74.00	10.00
SC 60 x 75 x 8	60.00	75.00	8.00
SC 60 x 75 x 9	60.00	75.00	9.00
SC 60 x 78 x 9	60.00	78.00	9.00
SC 60 x 80 x 8	60.00	80.00	8.00
SC 60 x 80 x 10	60.00	80.00	10.00
SC 60 x 80 x 12	60.00	80.00	12.00
SC 60 x 80 x 13	60.00	80.00	13.00
SC 60 x 82 x 12	60.00	82.00	12.00
SC 60 x 85 x 8	60.00	85.00	8.00
SC 60 x 85 x 10	60.00	85.00	10.00
SC 60 x 85 x 12	60.00	85.00	12.00
SC 60 x 85 x 13	60.00	85.00	13.00
SC 60 x 90 x 8	60.00	90.00	8.00
SC 60 x 90 x 10	60.00	90.00	10.00
SC 60 x 95 x 10	60.00	95.00	10.00
SC 60 x 100 x 10	60.00	100.00	10.00
SC 60 x 110 x 10	60.00	110.00	10.00
SC 60 x 110 x 12	60.00	110.00	12.00
SC 62 x 80 x 10	62.00	80.00	10.00
SC 62 x 85 x 10	62.00	85.00	10.00
SC 62 x 90 x 10	62.00	90.00	10.00

Part number	Shaft diameter Ød1 h11	Bore diameter ØD1 H8	Seal height H1
SC 62 x 95 x 10	62.00	95.00	10.00
SC 62 x 100 x 12	62.00	100.00	12.00
SC 63 x 83 x 8	63.00	83.00	8.00
SC 63 x 90 x 10	63.00	90.00	10.00
SC 63 x 100 x 10	63.00	100.00	10.00
SC 65 x 75 x 5	65.00	75.00	5.00
SC 65 x 80 x 6	65.00	80.00	6.00
SC 65 x 80 x 8	65.00	80.00	8.00
SC 65 x 80 x 10	65.00	80.00	10.00
SC 65 x 82 x 10	65.00	82.00	10.00
SC 65 x 85 x 8	65.00	85.00	8.00
SC 65 x 85 x 10	65.00	85.00	10.00
SC 65 x 85 x 13	65.00	85.00	13.00
SC 65 x 90 x 10	65.00	90.00	10.00
SC 65 x 90 x 12	65.00	90.00	12.00
SC 65 x 90 x 13	65.00	90.00	13.00
SC 65 x 95 x 10	65.00	95.00	10.00
SC 65 x 100 x 10	65.00	100.00	10.00
SC 65 x 100 x 12	65.00	100.00	12.00
SC 65 x 120 x 10	65.00	120.00	10.00
SC 66 x 85 x 10	66.00	85.00	10.00
SC 68 x 80 x 10	68.00	80.00	10.00
SC 68 x 82 x 7	68.00	82.00	7.00
SC 68 x 85 x 10	68.00	85.00	10.00
SC 68 x 88 x 8	68.00	88.00	8.00
SC 68 x 88 x 10	68.00	88.00	10.00
SC 68 x 88 x 13	68.00	88.00	13.00
SC 68 x 90 x 10	68.00	90.00	10.00
SC 68 x 95 x 10	68.00	95.00	10.00
SC 68 x 100 x 10	68.00	100.00	10.00
SC 68 x 100 x 13	68.00	100.00	13.00
SC 68 x 110 x 13	68.00	110.00	13.00
SC 68 x 115 x 13	68.00	115.00	13.00
SC 70 x 85 x 7	70.00	85.00	7.00
SC 70 x 85 x 8	70.00	85.00	8.00
SC 70 x 86 x 12	70.00	86.00	12.00
SC 70 x 90 x 10	70.00	90.00	10.00
SC 70 x 90 x 12	70.00	90.00	12.00
SC 70 x 95 x 10	70.00	95.00	10.00
SC 70 x 95 x 13	70.00	95.00	13.00
SC 70 x 100 x 10	70.00	100.00	10.00
SC 70 x 100 x 12	70.00	100.00	12.00
SC 70 x 105 x 13	70.00	105.00	13.00
SC 70 x 110 x 8	70.00	110.00	8.00
SC 70 x 110 x 10	70.00	110.00	10.00
SC 70 x 110 x 12	70.00	110.00	12.00
SC 70 x 110 x 13	70.00	110.00	13.00
SC 70 x 120 x 13	70.00	120.00	13.00
SC 70 x 125 x 12	70.00	125.00	12.00
SC 71 x 88 x 8	71.00	88.00	8.00
SC 72 x 90 x 10	72.00	90.00	10.00
SC 72 x 92 x 9.5	72.00	92.00	9.50
SC 72 x 95 x 10	72.00	95.00	10.00
SC 72 x 95 x 12	72.00	95.00	12.00
SC 72 x 100 x 10	72.00	100.00	10.00
SC 72 x 100 x 12	72.00	100.00	12.00
SC 75 x 85 x 7	75.00	85.00	7.00
SC 75 x 90 x 8	75.00	90.00	8.00
SC 75 x 90 x 10	75.00	90.00	10.00
SC 75 x 91 x 12	75.00	91.00	12.00
SC 75 x 95 x 10	75.00	95.00	10.00
SC 75 x 95 x 12	75.00	95.00	12.00

Part number	Shaft diameter Ød1 h11	Bore diameter ØD1 H8	Seal height H1
SC 75 x 95 x 13	75.00	95.00	13.00
SC 75 x 100 x 10	75.00	100.00	10.00
SC 75 x 100 x 12	75.00	100.00	12.00
SC 75 x 105 x 12	75.00	105.00	12.00
SC 75 x 105 x 13	75.00	105.00	13.00
SC 75 x 110 x 12	75.00	110.00	12.00
SC 75 x 110 x 13	75.00	110.00	13.00
SC 75 x 115 x 10	75.00	115.00	10.00
SC 75 x 115 x 12	75.00	115.00	12.00
SC 75 x 120 x 12	75.00	120.00	12.00
SC 75 x 130 x 13	75.00	130.00	13.00
SC 77 x 100 x 11.5	77.00	100.00	11.50
SC 78 x 100 x 10	78.00	100.00	10.00
SC 78 x 110 x 12	78.00	110.00	12.00
SC 78 x 110 x 13	78.00	110.00	13.00
SC 80 x 95 x 5	80.00	95.00	5.00
SC 80 x 100 x 10	80.00	100.00	10.00
SC 80 x 100 x 12	80.00	100.00	12.00
SC 80 x 100 x 13	80.00	100.00	13.00
SC 80 x 105 x 10	80.00	105.00	10.00
SC 80 x 105 x 13	80.00	105.00	13.00
SC 80 x 110 x 10	80.00	110.00	10.00
SC 80 x 110 x 12	80.00	110.00	12.00
SC 80 x 115 x 10	80.00	115.00	10.00
SC 80 x 120 x 12	80.00	120.00	12.00
SC 80 x 120 x 13	80.00	120.00	13.00
SC 80 x 125 x 12	80.00	125.00	12.00
SC 82 x 110 x 12	82.00	110.00	12.00
SC 82 x 110 x 13	82.00	110.00	13.00
SC 84 x 100 x 10	84.00	100.00	10.00
SC 85 x 100 x 6	85.00	100.00	6.00
SC 85 x 100 x 9	85.00	100.00	9.00
SC 85 x 105 x 10	85.00	105.00	10.00
SC 85 x 105 x 13	85.00	105.00	13.00
SC 85 x 110 x 10	85.00	110.00	10.00
SC 85 x 110 x 12	85.00	110.00	12.00
SC 85 x 110 x 13	85.00	110.00	13.00
SC 85 x 115 x 13	85.00	115.00	13.00
SC 85 x 115 x 15	85.00	115.00	15.00
SC 85 x 120 x 12	85.00	120.00	12.00
SC 85 x 130 x 12	85.00	130.00	12.00
SC 88 x 110 x 12	88.00	110.00	12.00
SC 89 x 105 x 9.5	89.00	105.00	9.50
SC 90 x 106 x 12	90.00	106.00	12.00
SC 90 x 110 x 10	90.00	110.00	10.00
SC 90 x 110 x 12	90.00	110.00	12.00
SC 90 x 110 x 13	90.00	110.00	13.00
SC 90 x 115 x 9	90.00	115.00	9.00
SC 90 x 115 x 13	90.00	115.00	13.00
SC 90 x 120 x 12	90.00	120.00	12.00
SC 90 x 130 x 12	90.00	130.00	12.00
SC 90 x 140 x 13	90.00	140.00	13.00
SC 92 x 110 x 10	92.00	110.00	10.00
SC 95 x 110 x 6	95.00	110.00	6.00
SC 95 x 110 x 10	95.00	110.00	10.00
SC 95 x 110 x 12	95.00	110.00	12.00
SC 95 x 115 x 13	95.00	115.00	13.00
SC 95 x 120 x 8	95.00	120.00	8.00
SC 95 x 120 x 12	95.00	120.00	12.00
SC 95 x 120 x 13	95.00	120.00	13.00
SC 95 x 125 x 12	95.00	125.00	12.00
SC 95 x 130 x 12	95.00	130.00	12.00

Part number	Shaft diameter Ød1 h11	Bore diameter ØD1 H8	Seal height H1
SC 95 x 145 x 10	95.00	145.00	10.00
SC 98 x 120 x 13	98.00	120.00	13.00
SC 100 x 110 x 10	100.00	110.00	10.00
SC 100 x 120 x 7.5	100.00	120.00	7.50
SC 100 x 120 x 10	100.00	120.00	10.00
SC 100 x 120 x 11	100.00	120.00	11.00
SC 100 x 120 x 12	100.00	120.00	12.00
SC 100 x 120 x 13	100.00	120.00	13.00
SC 100 x 125 x 12	100.00	125.00	12.00
SC 100 x 130 x 12	100.00	130.00	12.00
SC 100 x 135 x 14	100.00	135.00	14.00
SC 100 x 140 x 12	100.00	140.00	12.00
SC 100 x 140 x 13	100.00	140.00	13.00
SC 100 x 150 x 12	100.00	150.00	12.00
SC 100 x 150 x 13	100.00	150.00	13.00
SC 105 x 120 x 13	105.00	120.00	13.00
SC 105 x 125 x 13	105.00	125.00	13.00
SC 105 x 130 x 12	105.00	130.00	12.00
SC 105 x 135 x 16	105.00	135.00	16.00
SC 105 x 140 x 12	105.00	140.00	12.00
SC 105 x 140 x 14	105.00	140.00	14.00
SC 105 x 150 x 15	105.00	150.00	15.00
SC 105 x 160 x 12	105.00	160.00	12.00
SC 110 x 130 x 10	110.00	130.00	10.00
SC 110 x 130 x 12	110.00	130.00	12.00
SC 110 x 130 x 13	110.00	130.00	13.00
SC 110 x 135 x 12	110.00	135.00	12.00
SC 110 x 140 x 12	110.00	140.00	12.00
SC 110 x 150 x 13	110.00	150.00	13.00
SC 115 x 130 x 12	115.00	130.00	12.00
SC 115 x 135 x 10	115.00	135.00	10.00
SC 115 x 135 x 13	115.00	135.00	13.00
SC 115 x 140 x 12	115.00	140.00	12.00
SC 115 x 140 x 13	115.00	140.00	13.00
SC 115 x 150 x 12	115.00	150.00	12.00
SC 118 x 140 x 13	118.00	140.00	13.00
SC 120 x 140 x 10	120.00	140.00	10.00
SC 120 x 140 x 13	120.00	140.00	13.00
SC 120 x 150 x 12	120.00	150.00	12.00
SC 120 x 150 x 13	120.00	150.00	13.00
SC 120 x 160 x 12	120.00	160.00	12.00
SC 120 x 160 x 13	120.00	160.00	13.00
SC 125 x 150 x 12	125.00	150.00	12.00
SC 125 x 150 x 13	125.00	150.00	13.00
SC 125 x 160 x 12	125.00	160.00	12.00
SC 125 x 160 x 13	125.00	160.00	13.00
SC 125 x 160 x 16	125.00	160.00	16.00
SC 130 x 155 x 10	130.00	155.00	10.00
SC 130 x 160 x 12	130.00	160.00	12.00
SC 130 x 170 x 12	130.00	170.00	12.00
SC 130 x 182 x 16	130.00	182.00	16.00
SC 130 x 200 x 15	130.00	200.00	15.00
SC 135 x 160 x 12	135.00	160.00	12.00
SC 135 x 160 x 13	135.00	160.00	13.00
SC 135 x 160 x 15	135.00	160.00	15.00
SC 135 x 170 x 12	135.00	170.00	12.00
SC 135 x 170 x 15	135.00	170.00	15.00
SC 140 x 160 x 12	140.00	160.00	12.00
SC 140 x 170 x 12	140.00	170.00	12.00
SC 140 x 170 x 15	140.00	170.00	15.00
SC 140 x 180 x 10	140.00	180.00	10.00
SC 140 x 180 x 12	140.00	180.00	12.00

Part number	Shaft diameter Ød1 h11	Bore diameter ØD1 H8	Seal height H1
SC 140 x 215 x 12	140.00	215.00	12.00
SC 143 x 165 x 10	143.00	165.00	10.00
SC 144 x 160 x 12	144.00	160.00	12.00
SC 145 x 170 x 15	145.00	170.00	15.00
SC 145 x 175 x 13	145.00	175.00	13.00
SC 145 x 175 x 15	145.00	175.00	15.00
SC 150 x 170 x 12	150.00	170.00	12.00
SC 150 x 172 x 15	150.00	172.00	15.00
SC 150 x 180 x 12	150.00	180.00	12.00
SC 150 x 180 x 13	150.00	180.00	13.00
SC 150 x 180 x 15	150.00	180.00	15.00
SC 150 x 200 x 10	150.00	200.00	10.00
SC 150 x 225 x 15	150.00	225.00	15.00
SC 155 x 175 x 12	155.00	175.00	12.00
SC 155 x 180 x 15	155.00	180.00	15.00
SC 155 x 190 x 15	155.00	190.00	15.00
SC 160 x 185 x 10	160.00	185.00	10.00
SC 160 x 185 x 12	160.00	185.00	12.00
SC 160 x 190 x 13	160.00	190.00	13.00
SC 160 x 190 x 15	160.00	190.00	15.00
SC 160 x 200 x 12	160.00	200.00	12.00
SC 160 x 220 x 12	160.00	220.00	12.00
SC 165 x 180 x 8	165.00	180.00	8.00
SC 165 x 190 x 13	165.00	190.00	13.00
SC 170 x 190 x 7	170.00	190.00	7.00
SC 170 x 190 x 15	170.00	190.00	15.00
SC 170 x 200 x 12	170.00	200.00	12.00
SC 170 x 200 x 15	170.00	200.00	15.00
SC 170 x 210 x 15	170.00	210.00	15.00
SC 175 x 200 x 15	175.00	200.00	15.00
SC 175 x 210 x 15	175.00	210.00	15.00
SC 180 x 200 x 7	180.00	200.00	7.00
SC 180 x 200 x 15	180.00	200.00	15.00
SC 180 x 210 x 12.5	180.00	210.00	12.50
SC 180 x 220 x 15	180.00	220.00	15.00
SC 185 x 210 x 13	185.00	210.00	13.00
SC 186 x 203 x 8	186.00	203.00	8.00
SC 190 x 215 x 16	190.00	215.00	16.00
SC 190 x 220 x 15	190.00	220.00	15.00
SC 193 x 210 x 8	193.00	210.00	8.00
SC 200 x 225 x 15	200.00	225.00	15.00
SC 200 x 230 x 15	200.00	230.00	15.00
SC 200 x 230 x 16	200.00	230.00	16.00
SC 200 x 250 x 15	200.00	250.00	15.00
SC 205 x 230 x 16	205.00	230.00	16.00
SC 210 x 240 x 15	210.00	240.00	15.00
SC 210 x 250 x 15	210.00	250.00	15.00
SC 215 x 240 x 12	215.00	240.00	12.00
SC 230 x 260 x 15	230.00	260.00	15.00
SC 240 x 270 x 15	240.00	270.00	15.00
SC 240 x 280 x 15	240.00	280.00	15.00
SC 250 x 280 x 15	250.00	280.00	15.00
SC 260 x 290 x 15	260.00	290.00	15.00
SC 260 x 300 x 20	260.00	300.00	20.00
SC 280 x 310 x 15	280.00	310.00	15.00
SC 300 x 340 x 18	300.00	340.00	18.00
SC 320 x 360 x 20	320.00	360.00	20.00
SC 340 x 380 x 18	340.00	380.00	18.00
SC 360 x 400 x 20	360.00	400.00	20.00
SC 380 x 420 x 20	380.00	420.00	20.00
SC 400 x 425 x 15	400.00	425.00	15.00
SC 430 x 480 x 30	430.00	480.00	30.00